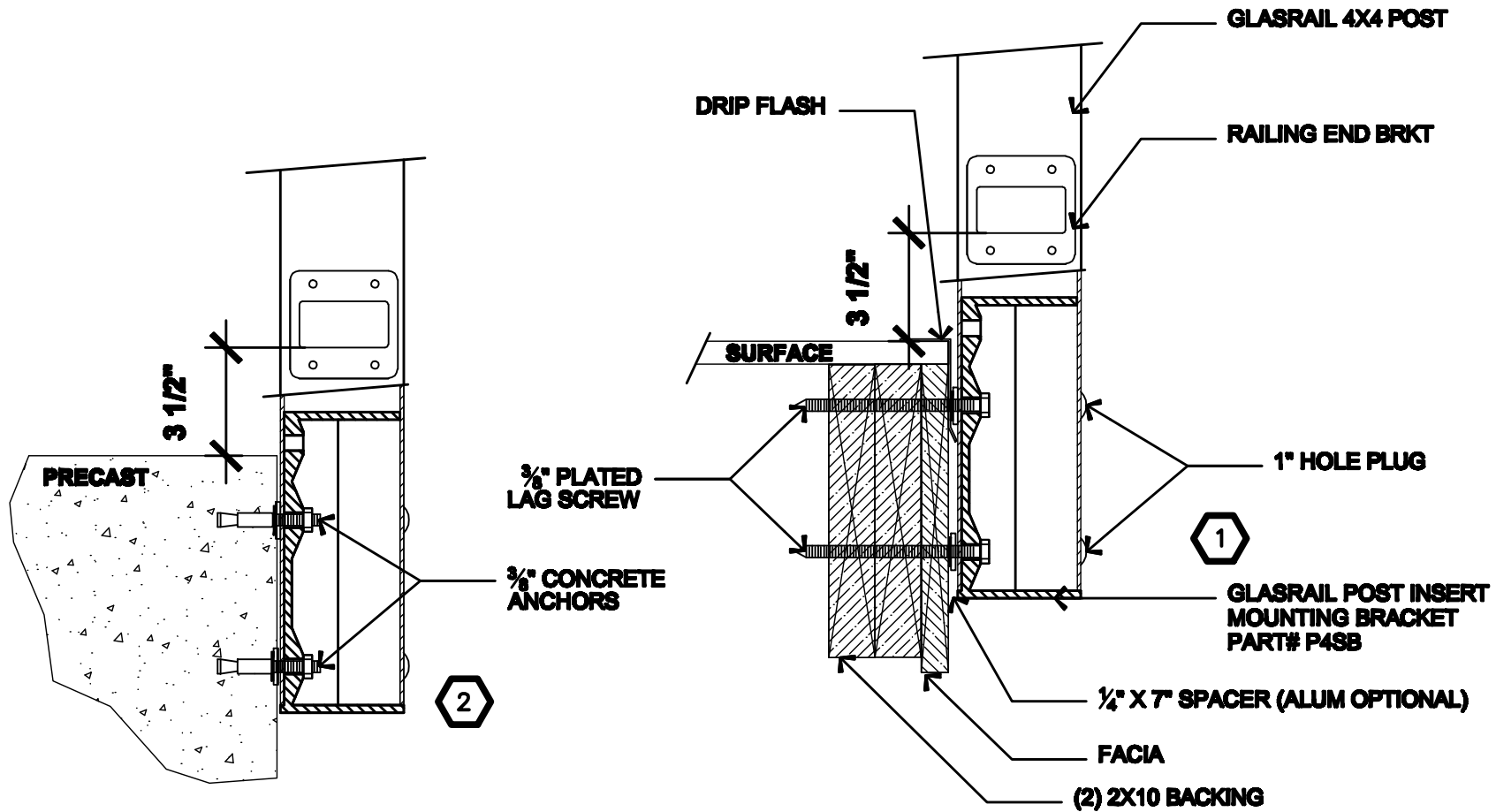


POST MOUNTING SYSTEMS - NTS

1

TYPICAL TOP MOUNT POST INSERT PROCEDURE

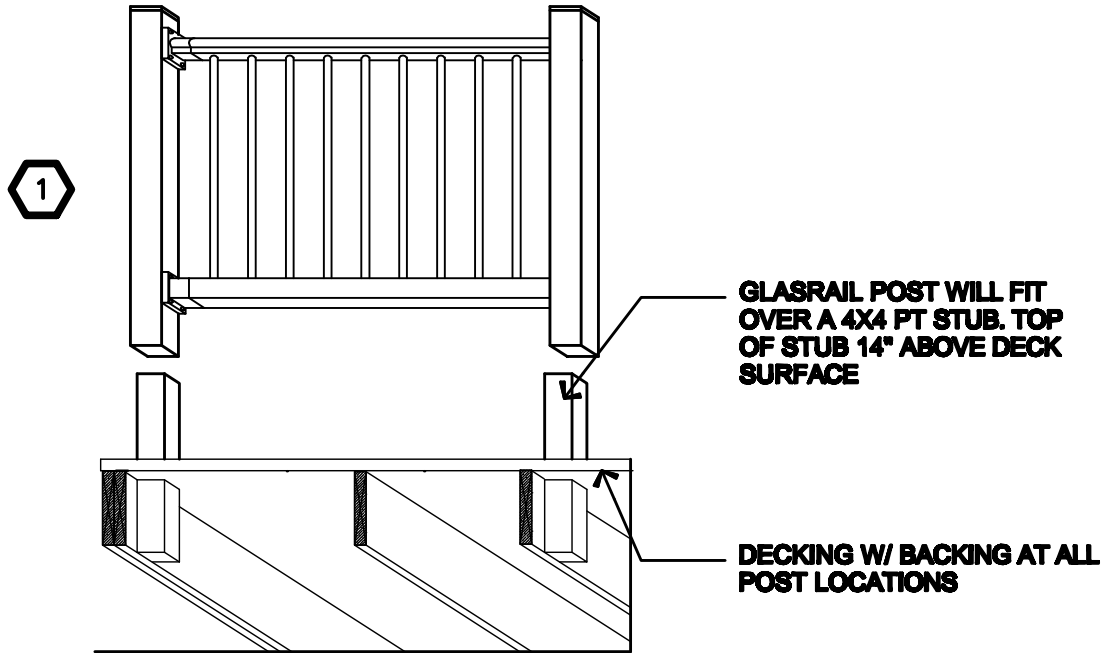
PROJECT DETAILS	4215-A Russell Road Mukilteo, WA, 98275		FILE NO. 000-0-000
	Main Office 425-348-3608	Fax 425-348-8476	
GLASRAIL			
DRAWN CVH	SCALE 1/2" = 1'-0"	DATE 5/7/2010	APP'D
PM-1		SHEET 1 OF 7	



POST MOUNTING SYSTEMS - NTS

- 1 USE SPACERS AS REQ'D TO PLUMB UP POSTS
- 2 TYPICAL SIDE MOUNT POST INSERT PROCEDURE

GLASRAIL		PROJECT DETAILS	
4215-A Russell Road Mukilteo, WA, 98275		FILE NO. 000-0-000	
Main Office 425-348-3808		Fax 425-348-8476	
DRAWN CVH	APP'D		
SCALE 1/2" = 1'-0"	DATE 5/7/2010		
PM-2		SHEET 2 OF 7	



POST MOUNTING SYSTEMS - STUB MOUNT

1

DECK MOUNTING DETAIL: ECONOMICAL METHOD, GOOD FOR COMPOSITE DECK SURFACES

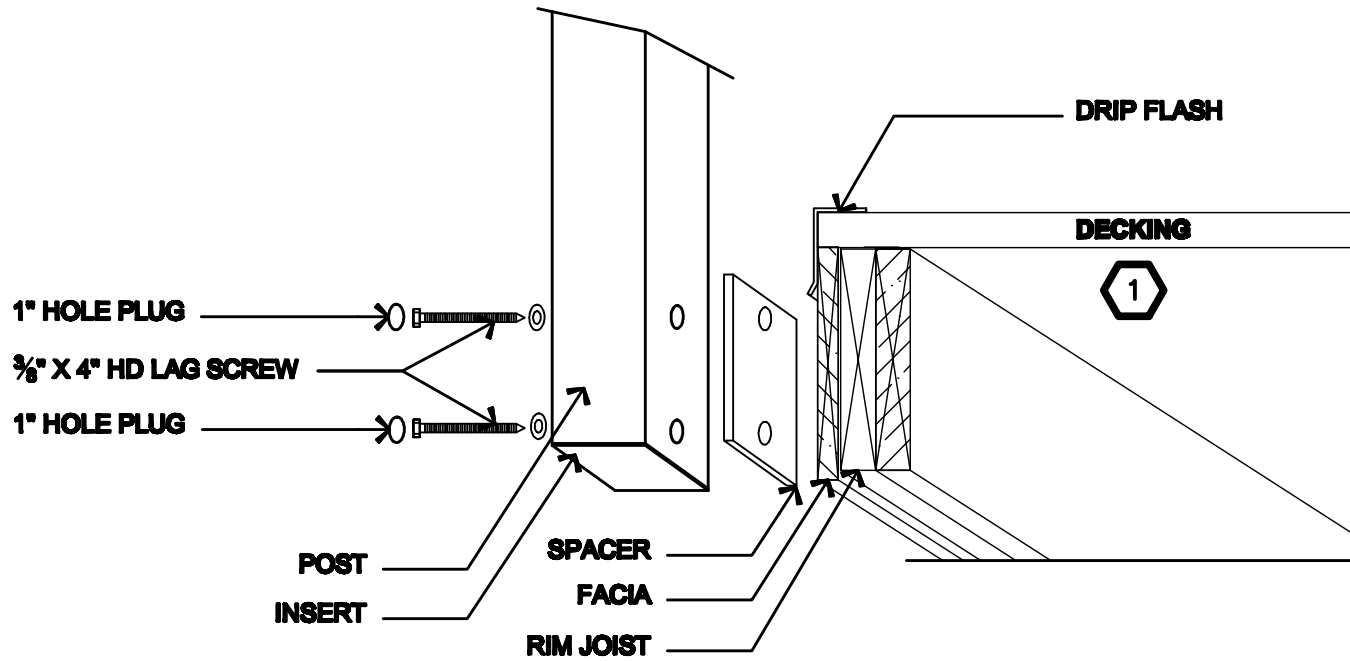


4215-A Russell Road
 Mukilteo, WA. 98275
 Main Office 425-348-3608
 Fax 425-348-8476

PROJECT DETAILS
 FILE NO. 000-0-000

SCALE 1/2" = 1'-0"
 DATE 5/7/2010
 DRAWN CVH
 APP'D

PM-3
 SHEET 3 OF 7



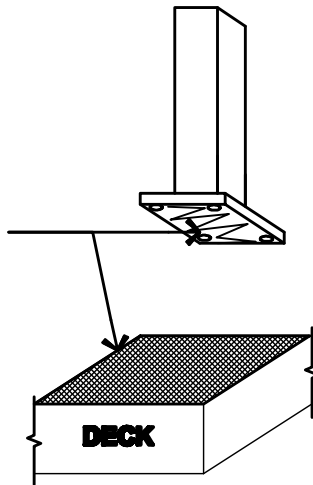
POST MOUNTING SYSTEMS - SIDE MOUNT - NTS



BACKING AT ALL POST LOCATIONS

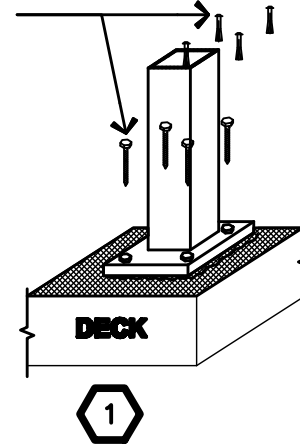
GLASRAIL®	4215-A Russell Road Mukilteo, WA. 98275		Main Office 425-348-3608		Fax 425-348-8476	
	PROJECT DETAILS		FILE NO. 000-0-000			
SCALE 1/2" = 1'-0"	DRAWN CVH	DATE 5/7/2010		APP'D		
PM-4	SHEET 4 OF 7					

- 1. BEFORE ATTACHING POST BASES, APPLY FIRST BASE COAT TO ENTIRE DECK SURFACE AND ALLOW TO DRY.**
- 2. APPLY URETHANE SEALANT LIBERALLY TO BOTTOM OF POST BASE.**



3A. FASTEN POST BASE TO CONCRETE DECK SURFACE WITH ANCHORS.

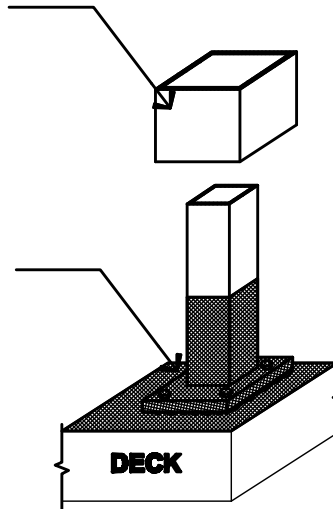
3B. FASTEN POST BASE TO WOOD DECK SURFACE WITH LAG BOLTS.



POSITION POST OVER BASE, POUR CONC. IN FROM TOP TO HOLD POST IN PLACE

4. APPLY SECOND BASE COAT TO ENTIRE DECK AND TOP OF FLANGE AND 4" - 6" UP THE VERTICAL

5. APPLY TOP COATS AS NEEDED PER MANUFACTURER SPEC.



POST MOUNTING SYSTEMS - POST BASED FLANGE - NTS

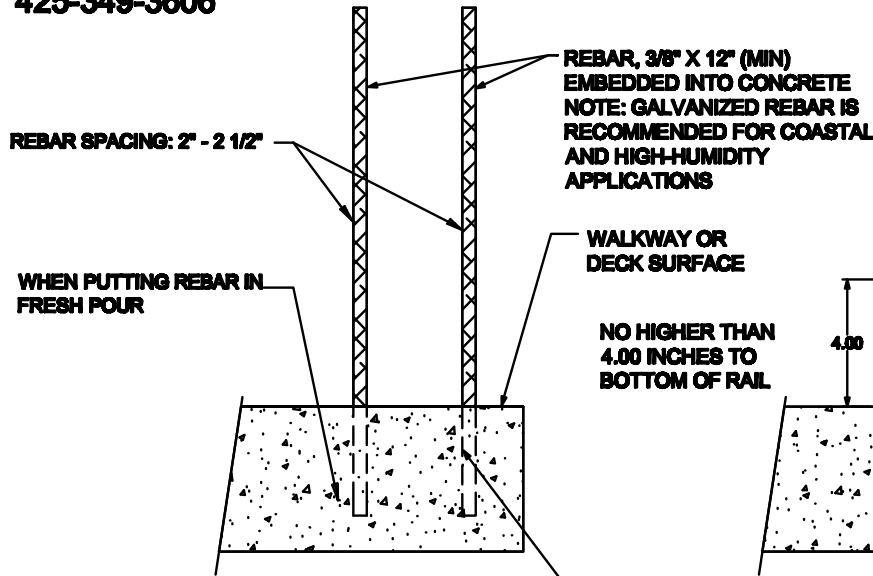


TYPICAL TTOP MOUNT POST BASED FLANGE BASE INSTALLATION AND WATER PROOFING R1

PROJECT DETAILS		FILE NO. 000-0-000	
4215-A Russell Road Mukilteo, WA. 98275		Main Office 425-349-3608	
		Fax 425-349-8476	
GLASRAIL			
SCALE 1/2" = 1'-0"	DRAWN CVH	DATE 5/7/2010	APP'D
PM-5		SHEET 5 OF 7	

GLASRAIL
 4215 - A Russell Rd
 Mukilteo, WA 98275
 425-349-3606

STEP A



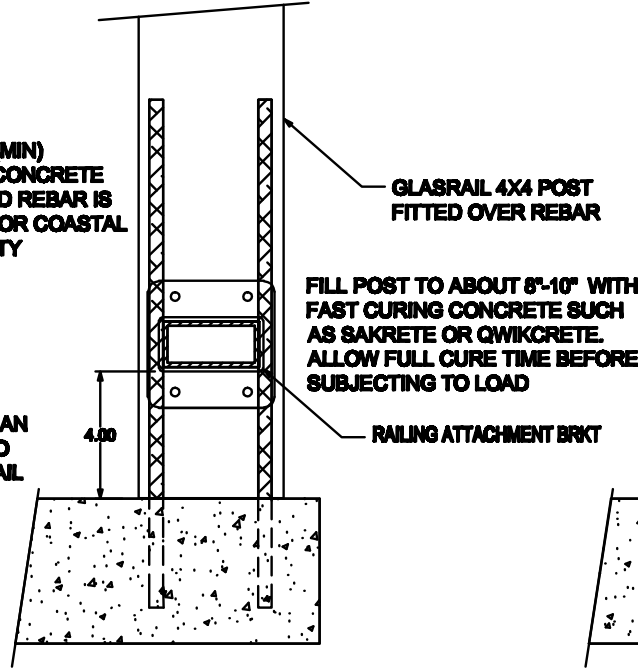
WHEN PUTTING REBAR IN FRESH POUR

WALKWAY OR DECK SURFACE

NO HIGHER THAN 4.00 INCHES TO BOTTOM OF RAIL

WHEN PUTTING REBAR IN EXISTING CONCRETE:
 - DRILL HOLES, 1/2" DIA X 3"-4" (MIN) DEEP
 - BOND 3/8" REBAR IN HOLES WITH SUITABLE EPOXY COMPOUND SUCH AS RAMSET EPCON C8

STEP B

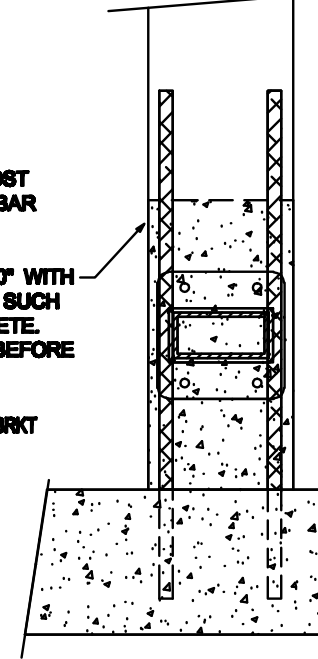


FILL POST TO ABOUT 8"-10" WITH FAST CURING CONCRETE SUCH AS SAKRETE OR QWIKCRETE. ALLOW FULL CURE TIME BEFORE SUBJECTING TO LOAD

- POSITION POSTS OVER REBAR
 - USE LEVEL AND FRAMING SQUARE TO CHECK FOR PLUMB
 - ATTACH RAILING SECTIONS

NOTE: ADD CONCRETE TO POST (SEE STEP C) AFTER RAIL HAS BEEN INSTALLED

STEP C



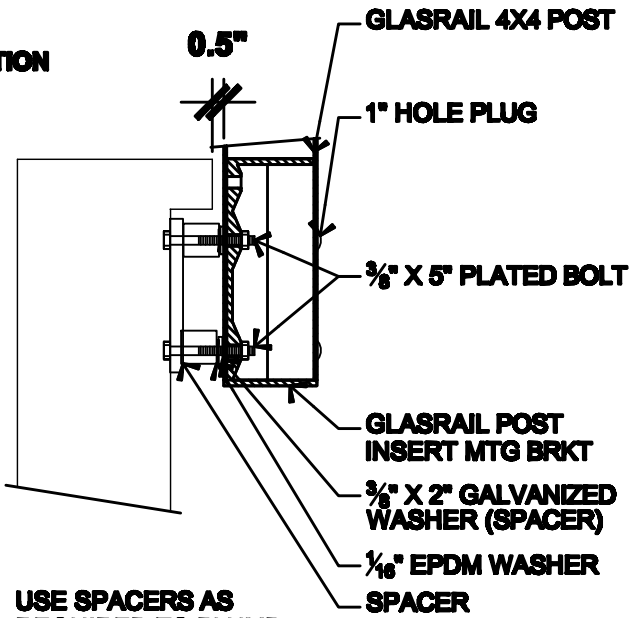
- MAKE SURE SCREWS FOR END BRACKETS ARE TIGHT.
 - FILL INSIDE OF POST WITH APPROX 8"-10" OF CONCRETE

TOP MOUNT POST ON CONCRETE WITH REBAR - NTS

NOTE: MEASURE DIST. BETWEEN MOUNTING SURFACES AND CUT TO LENGTH, LESS 1" ALLOWING FOR END BRACKET THICKNESS

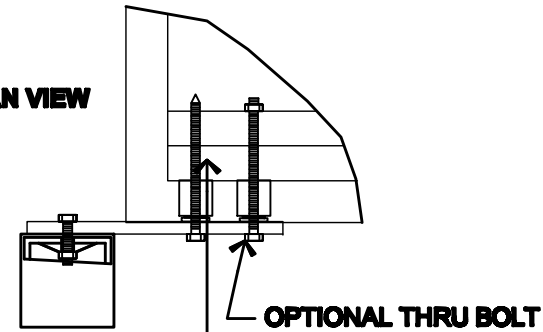
HR-1	SHEET 1 OF 1	SCALE NO SCALE	DATE 1/18/2010	DRAWN CVH	APPD APPD
		GLASRAIL			
4215-A Russell Road Mukilteo, WA. 98275		Main Office 425-349-3606		Fax 425-348-8476	
PROJECT 000000		FILE NO. 000-0-000			

SECTION

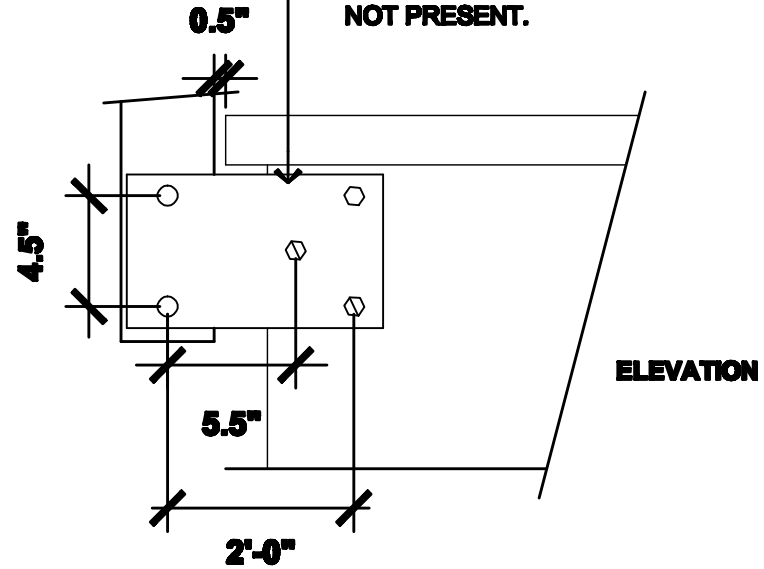


USE SPACERS AS REQUIRED TO PLUMB POSTS

PLAN VIEW



3/8" X 6" PLATED LAG SCREW
NOTE - BACKING IS NEEDED TO ATTACH BRACKETS TO EXTERIOR WALLS OR COLUMNS WHEN SUITABLE FRAMING STRUCTURE IS NOT PRESENT.



SIDE MOUNT PLATE DETAIL - NTS



DETAIL - MOUNTING POSTS TO SIDE OF PARAPET WALL AT CORNER
NOTE - ALL DIMENSIONS SHOWN ARE NOMINAL, ADJUST AS REQUIRED BASED ON FIELD MEASUREMENT

PROJECT DETAILS		FILE NO. 000-0-000	
4215-A Russell Road Mukilteo, WA, 98275		Main Office 425-348-3608	
		Fax 425-348-8476	
GLASRAIL			
SCALE 1/2" = 1'-0"	DRAWN CVH	DATE 5/17/2010	APP'D
PM-7		SHEET 7 OF 7	