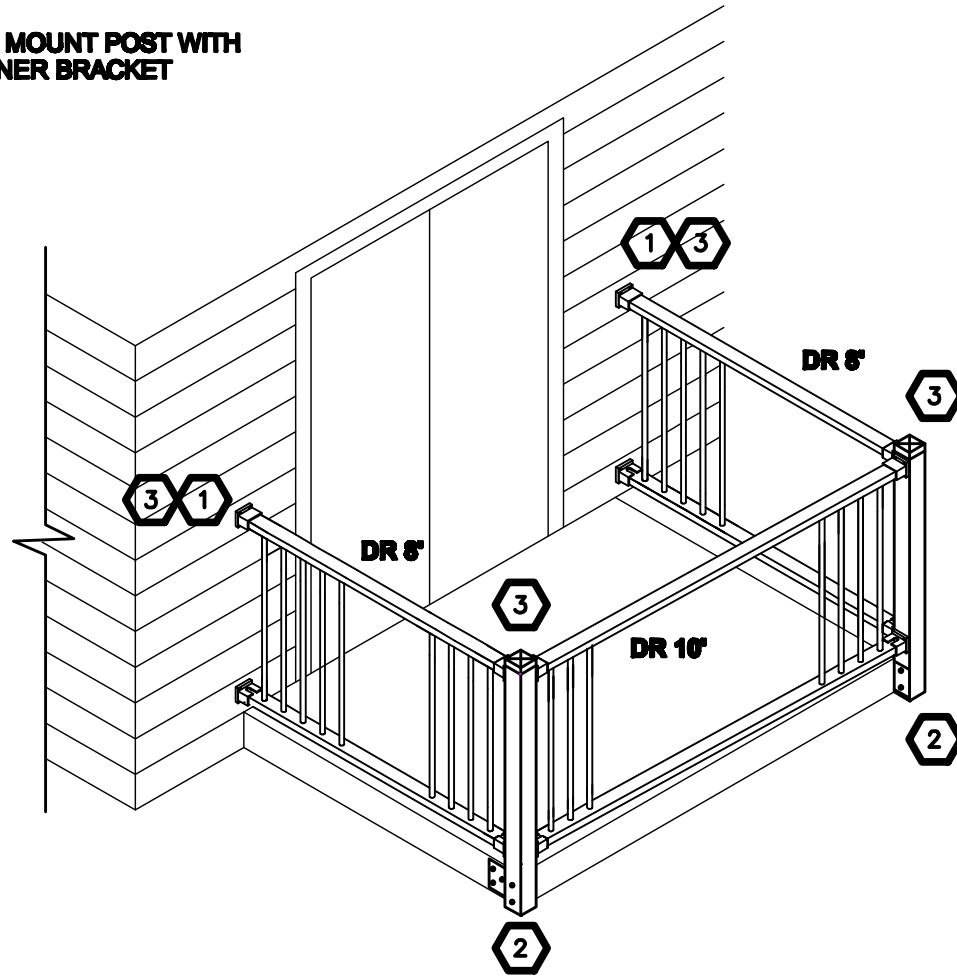





THIS DESIGN EXAMPLE AND LIST OF MATERIALS IS FOR ILLUSTRATIVE PURPOSES ONLY. THE REQUIREMENTS FOR ANY SPECIFIC APPLICATION WILL DEPEND ON THE ACTUAL CONFIGURATION.

ITEM	LENGTH	QUANTITY
DECK RAIL ASSY 1 (DR8')	8 FEET	2
DECK RAIL ASSY 2 (DR10')	10 FEET	1
POST 1 (P4-55)	55 INCH	2

POST CORNER MOUNT SIDE WING RETURN INSTALL



DESIGN EXAMPLE - NTS

-  RAIL ATTACH TO EXTERIOR WALL
-  SIDE MOUNT POST
-  SUITABLE BACKING NEEDED FOR END BRACKETS

PROJECT
DESIGN EX

FILE NO.
EXAMPLE 1

4215-A Russell Road
Mukilteo, WA, 98275
Main Office 425-348-3608
Fax 425-348-8476

GLASRAIL

DRAWN
CVH

APP'D

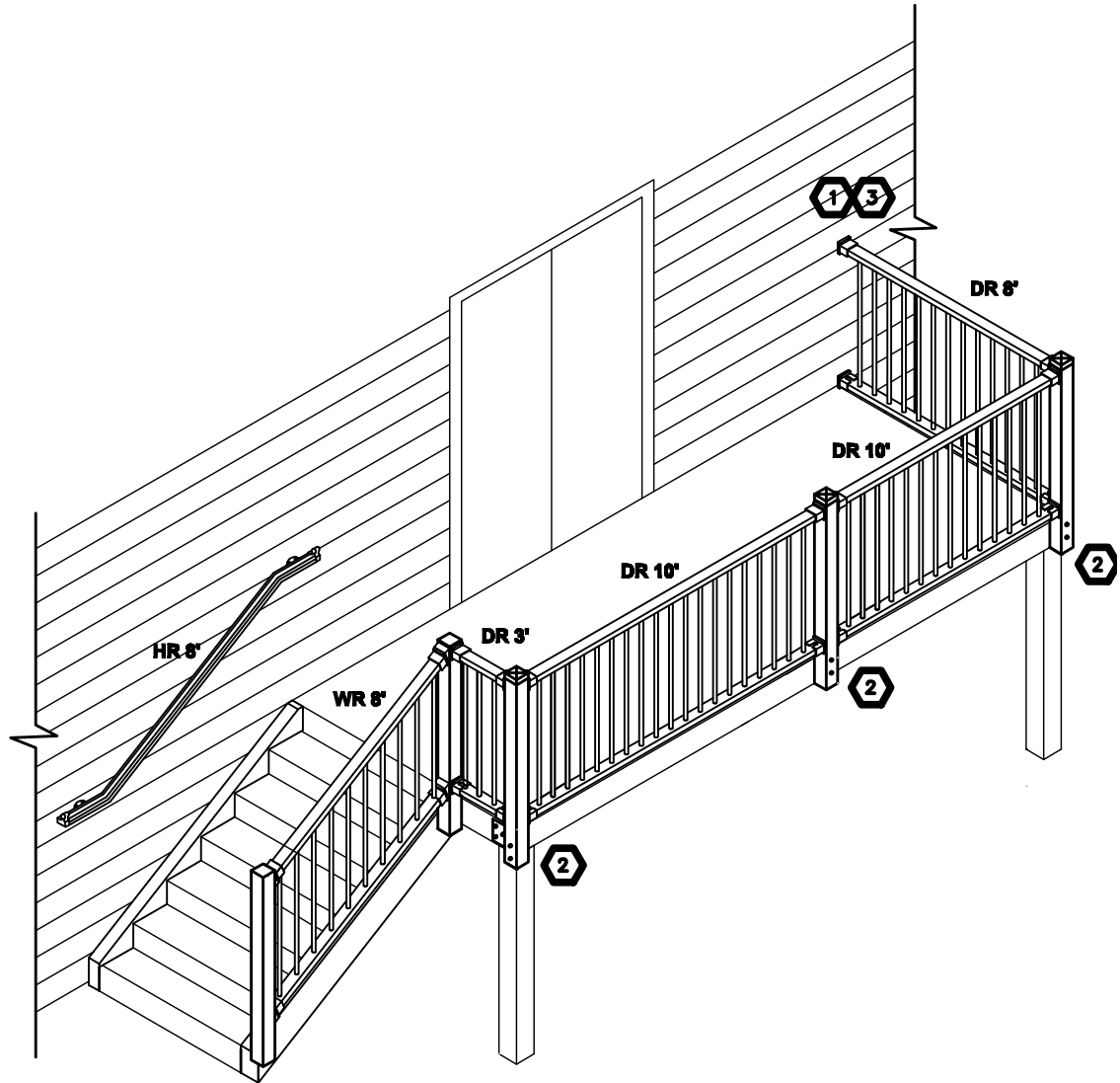
SCALE
CUSTOM

DATE
5/7/2010

DX-1

SHEET 1 OF 6

ITEM	LENGTH	QUANTITY
DECK RAIL ASSY 1 (DR8')	8 FEET	1
DECK RAIL ASSY 2 (DR10')	10 FEET	2
DECK RAIL ASSY 3 (DR3')	3 FEET	1
WIND RAIL ASSY (WR8')	8 FEET	1
HAND RAIL ASSY (HR8')	8 FEET	1
POST 1 (P4-65)	55 INCH	6



DESIGN EXAMPLE - NTS

- 1** RAIL ATTACH TO EXTERIOR WALL
- 2** SIDE MOUNT POST
- 3** SUITABLE BACKING NEEDED FOR END BRACKETS

NOTE: LENGTHS FOR STAIR RAIL AND HAND RAIL ARE BASED ON THE DIAGONAL DISTANCE.

THIS DESIGN EXAMPLE AND LIST OF MATERIALS IS FOR ILLUSTRATIVE PURPOSES ONLY. THE REQUIREMENTS FOR ANY SPECIFIC APPLICATION WILL DEPEND ON THE ACTUAL CONFIGURATION.

PROJECT DESIGN EX
FILE NO. EXAMPLE 2

4215-A Russell Road
Mukilteo, WA, 98275
Main Office 425-349-3608
Fax 425-348-8476

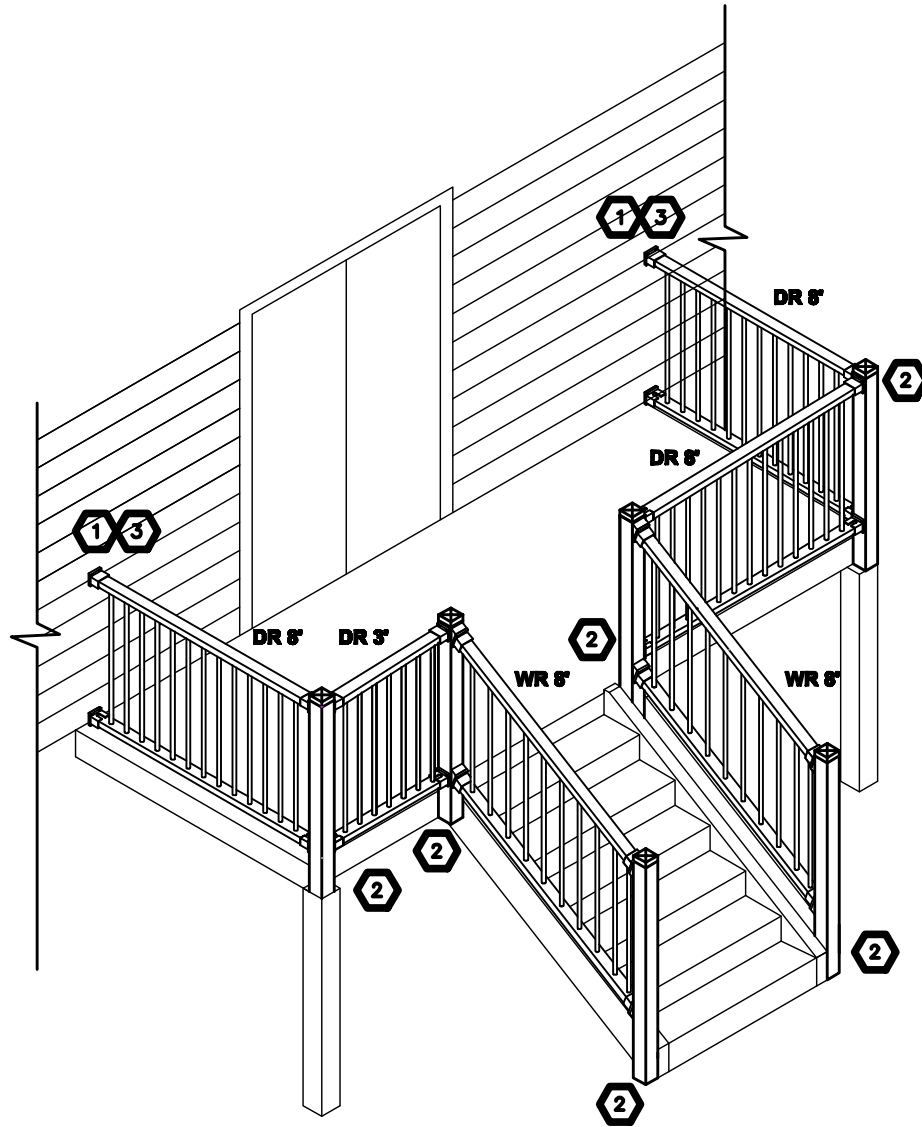


DRAWN CVH
APP'D




SCALE CUSTOM
DATE 5/7/2010

DX-2
SHEET 2 OF 6

ITEM	LENGTH	QUANTITY
DECK RAIL ASSY 1 (DR8')	8 FEET	3
DECK RAIL ASSY 3 (DR3')	3 FEET	1
STAIR RAIL ASSY (WR8')	8 FEET	2
POST 1 (P4-55)	55 INCH	6



DESIGN EXAMPLE - NTS

-  RAIL ATTACH TO EXTERIOR WALL
-  SIDE MOUNT POST
-  SUITABLE BACKING NEEDED FOR END BRACKETS

NOTE: LENGTHS FOR STAIR RAIL AND HAND RAIL ARE BASED ON THE DIAGONAL DISTANCE.

THIS DESIGN EXAMPLE AND LIST OF MATERIALS IS FOR ILLUSTRATIVE PURPOSES ONLY. THE REQUIREMENTS FOR ANY SPECIFIC APPLICATION WILL DEPEND ON THE ACTUAL CONFIGURATION.

PROJECT
DESIGN EX

4215-A Russell Road
Mukilteo, WA, 98275
Main Office 425-349-3608
Fax 425-348-8476

FILE NO.
EXAMPLE 3

GLASRAIL

DRAWN
CVH

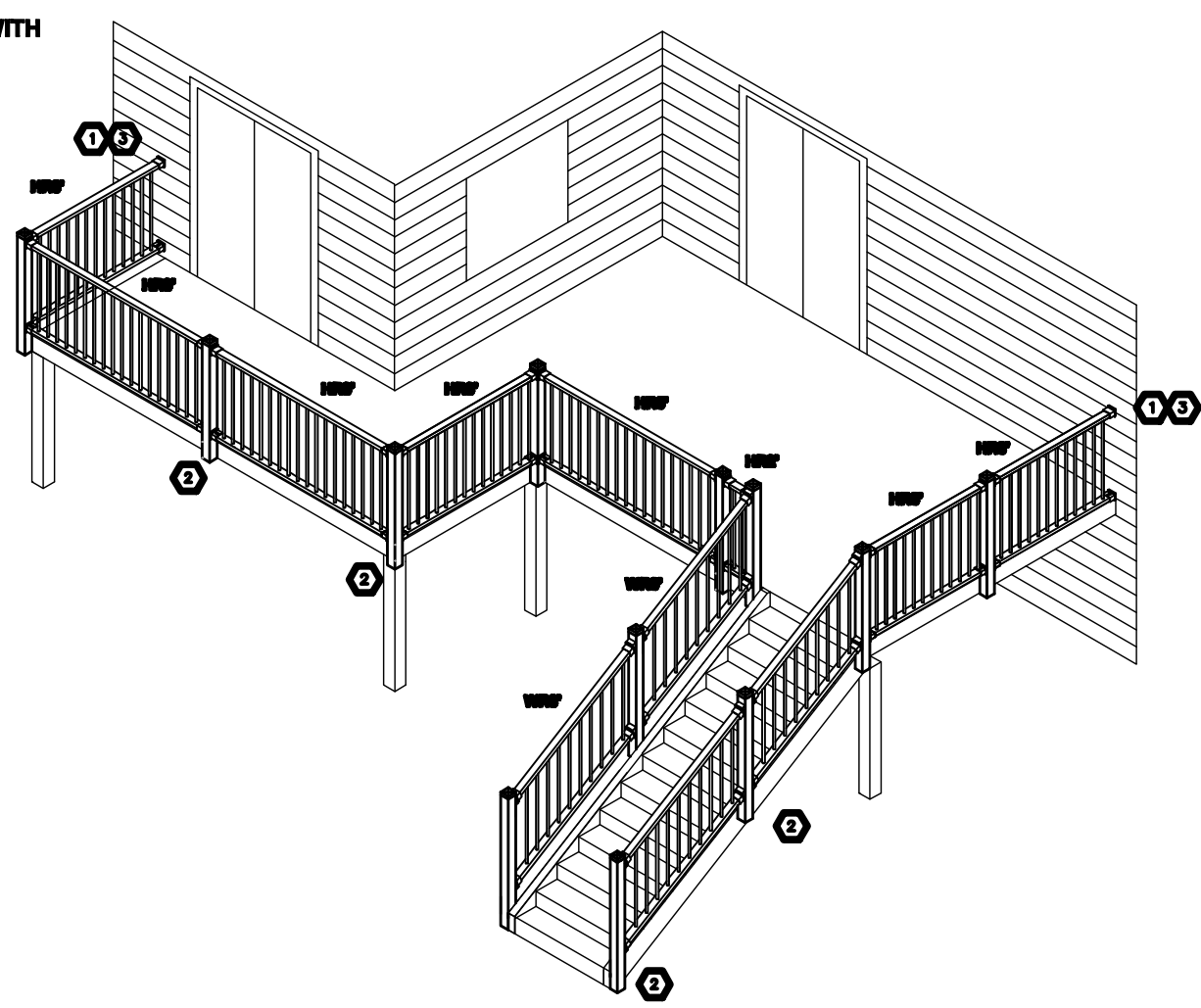
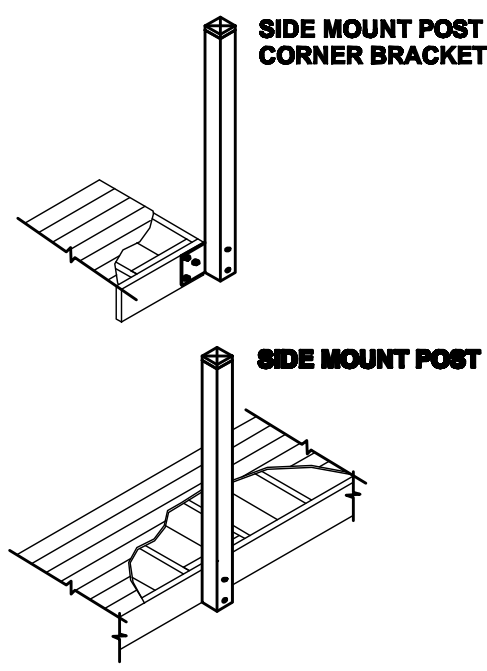
APP'D

SCALE
CUSTOM

DATE
5/7/2010

DX-3

SHEET 3 OF 6

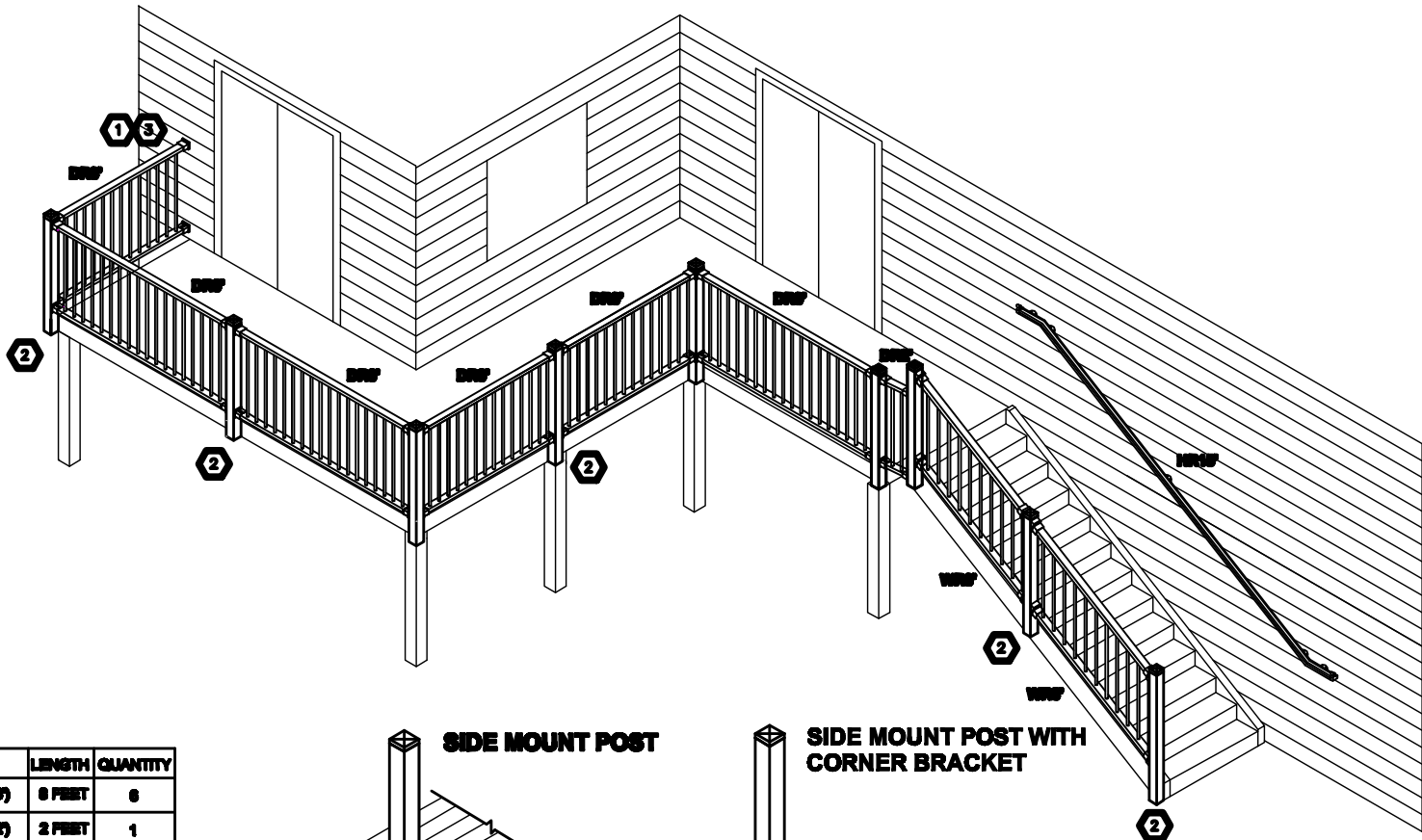


ITEM	LENGTH	QUANTITY
DECK RAIL ASSY 1 (DR1)	8 FEET	7
DECK RAIL ASSY 2 (DR2)	2 FEET	1
STAIR RAIL ASSY (NR1)	8 FEET	4
POST 1 (P4-55)	55 INCH	12

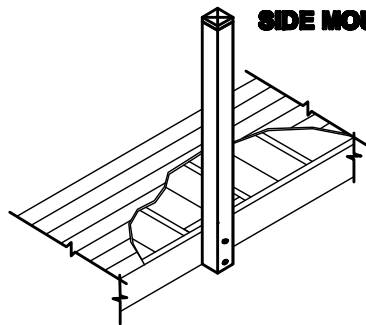
DESIGN EXAMPLE - NTS

- 1** RAIL ATTACH TO EXTERIOR WALL
- 2** SIDE MOUNT POST
- 3** SUITABLE BACKING NEEDED FOR END BRACKETS

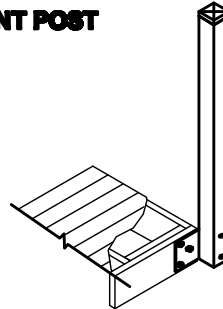
NOTE: LENGTHS FOR STAIR RAIL AND HAND RAIL ARE BASED ON THE DIAGONAL DISTANCE.
THIS DESIGN EXAMPLE AND LIST OF MATERIALS IS FOR ILLUSTRATIVE PURPOSES ONLY. THE REQUIREMENTS FOR ANY SPECIFIC APPLICATION WILL DEPEND ON THE ACTUAL CONFIGURATION.



ITEM	LENGTH	QUANTITY
DECK RAIL ASSY 1 (DR1)	6 FEET	6
DECK RAIL ASSY 2 (DR2)	2 FEET	1
STAIR RAIL ASSY (SR)	6 FEET	2
HAND RAIL ASSY (HR)	16 FEET	1
POST 1 (P1-55)	55 INCH	9



SIDE MOUNT POST



SIDE MOUNT POST WITH CORNER BRACKET

DESIGN EXAMPLE - NTS

- 1** RAIL ATTACH TO EXTERIOR WALL
- 2** SIDE MOUNT POST
- 3** SUITABLE BACKING NEEDED FOR END BRACKETS

NOTE: LENGTHS FOR STAIR RAIL AND HAND RAIL ARE BASED ON THE DIAGONAL DISTANCE.

THIS DESIGN EXAMPLE AND LIST OF MATERIALS IS FOR ILLUSTRATIVE PURPOSES ONLY. THE REQUIREMENTS FOR ANY SPECIFIC APPLICATION WILL DEPEND ON THE ACTUAL CONFIGURATION.

PROJECT
DESIGN EX

FILE NO.
EXAMPLE 5

4215-A Russell Road
Mukilteo, WA, 98275
Main Office 425-348-3608
Fax 425-348-8476

GLASRAIL

DRAWN
CVH

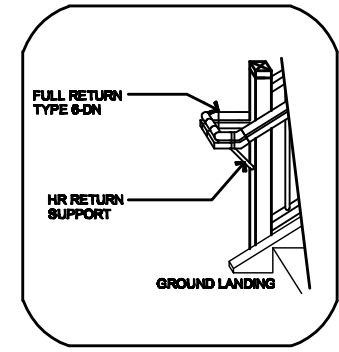
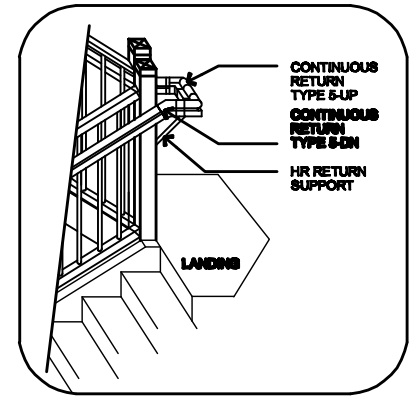
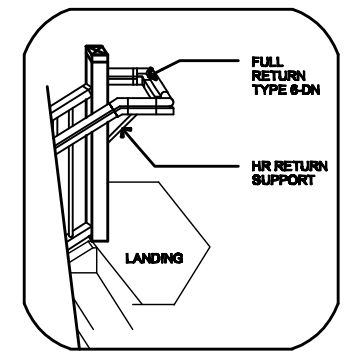
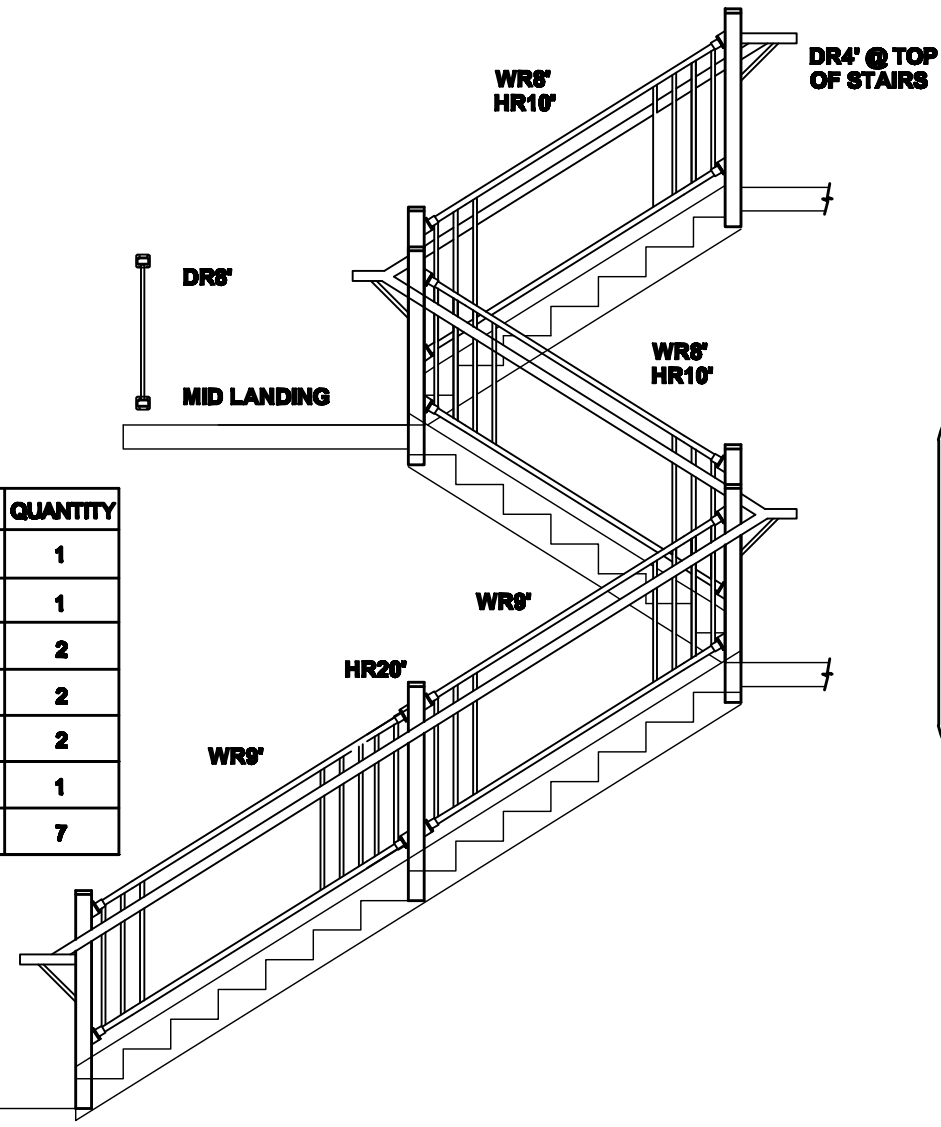
APP'D

SCALE
CUSTOM

DATE
5/7/2010

DX-5

SHEET 5 OF 6



ITEM	LENGTH	QUANTITY
DECK RAIL ASSY 1 (DR8')	8 FEET	1
DECK RAIL ASSY 2 (DR4')	4 FEET	1
STAIR RAIL ASSY (WR8')	8 FEET	2
STAIR RAIL ASSY (WR9')	9 FEET	2
HAND RAIL ASSY (HR10')	10 FEET	2
HAND RAIL ASSY (HR18')	18 FEET	1
POST 1 (P4-55)	55 INCH	7

DESIGN EXAMPLE - NTS

- NOTE: LENGTHS FOR STAIR RAIL AND HAND RAIL ARE BASED ON THE DIAGONAL DISTANCE FROM TREAD NOSE TO LANDING.
- NOTE: THIS DESIGN EXAMPLE AND LIST OF MATERIALS IS FOR ILLUSTRATIVE PURPOSES ONLY. THE REQUIREMENTS FOR ANY SPECIFIC APPLICATION WILL DEPEND ON THE ACTUAL CONFIGURATION.
- NOTE: THIS EXAMPLE IS OF A TYPICAL STAIRWELL WITH FULL-RETURN HANDRAIL (HR) AT TOP AND BOTTOM, CONTINUOUS HANDRAIL (HR) RETURN AT LANDINGS.
- NOTE: WHEN THE STRINGER CLEARANCE IS BETWEEN 5" AND 8", THE POSTS CAN BE SIDE BY SIDE OFFSET. WHEN STRINGER CLEARANCE IS MORE THAN 8", THE 4" POSTS CAN BE SIDE BY SIDE.
- NOTE: THE POST COUNT FOR STAIRWELLS DEPENDS ON THE STRINGER SPACING. THERE MUST BE 4"-5" STRINGER CLEARANCE FOR THE 4" GLASRAIL POST.