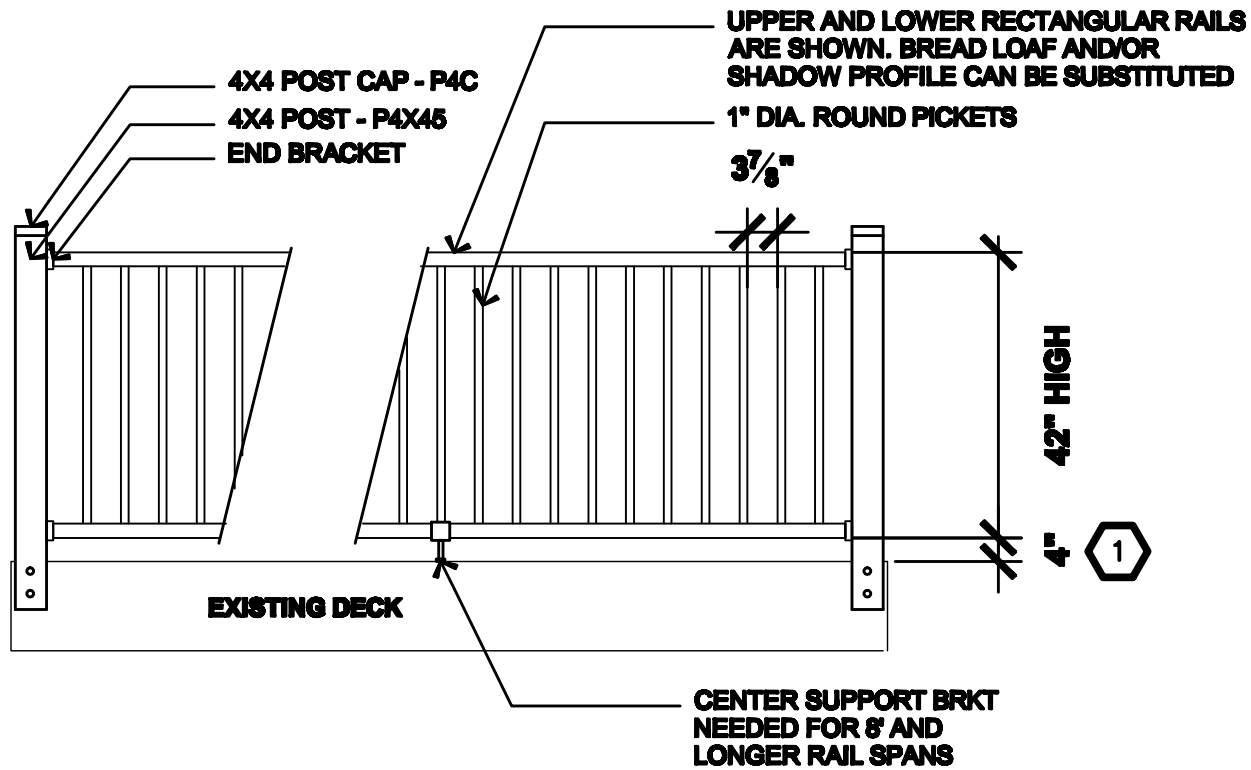


RAILING DETAIL - TOP MOUNT POSTS



CHECK LOCAL CODE FOR HEIGHT REQUIREMENT

PROJECT DETAILS		FILE NO. 000-0-000	
4215-A Russell Road Mukilteo, WA, 98275		Fax 425-348-8476	
Main Office 425-348-3808			
			
DRAWN CVH	APP'D		
SCALE CUSTOM	DATE 5/18/2010		
DR-1		SHEET 1 OF 12	



PROJECT
DETAILS

4215-A Russell Road
Mukilteo, WA, 98275
Main Office 425-348-3808
Fax 425-348-8476



DRAWN
CVH

SCALE
1/2" = 1'-0"

DATE
5/18/2010

APP'D

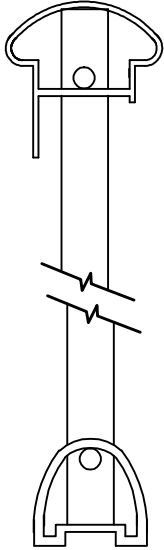
DR-2
SHEET 2 OF 12

RAILING DETAIL - SIDE MOUNT POSTS

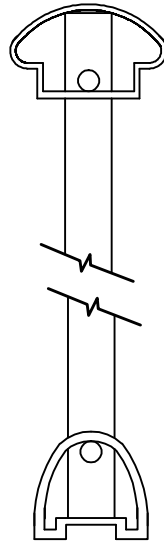


CHECK LOCAL CODE FOR HEIGHT REQUIREMENT

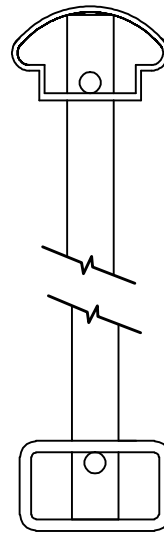
SHADOW TOP
AND BOTTOM



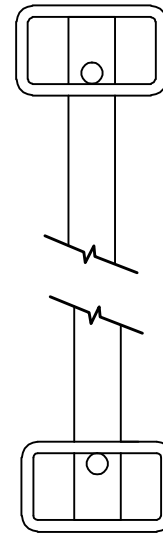
BREADLOAF TOP
SHADOW BOTTOM



BREADLOAF TOP
RECTANGLE BOTTOM



RECTANGLE TOP
AND BOTTOM



PICKET STYLE DECK RAILING - NTS



CAD FILES ON REQUEST



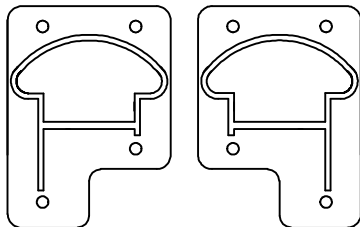
4215-A Russell Road
Mukilteo, WA, 98275
Main Office 425-348-3608
Fax 425-348-8476

DRAWN
CVH
APP'D

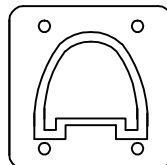
SCALE
1/2" = 1'-0"
DATE
5/18/2010

DR-3
SHEET 3 OF 12

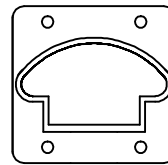
PROJECT
DETAILS
FILE NO.
000-0-000



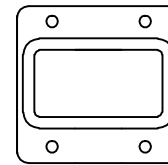
**SHADOW TOP LEFT AND RIGHT
(BESL - BESR)**



**SHADOW BOTTOM
(BESB-)**



**BREADLOAF
(BEL-)**



**RECTANGLE
(BE-)**

COLORS: WHITE
BLACK, -B
GREEN, -G
SAND, -S

EXAMPLES: WHITE BREADLOAF, BEL
BLACK BREADLOAF, BEL-B
SAND RECTANGLE, BE-S

END BRACKET STYLES - NTS



CAD FILES ON REQUEST

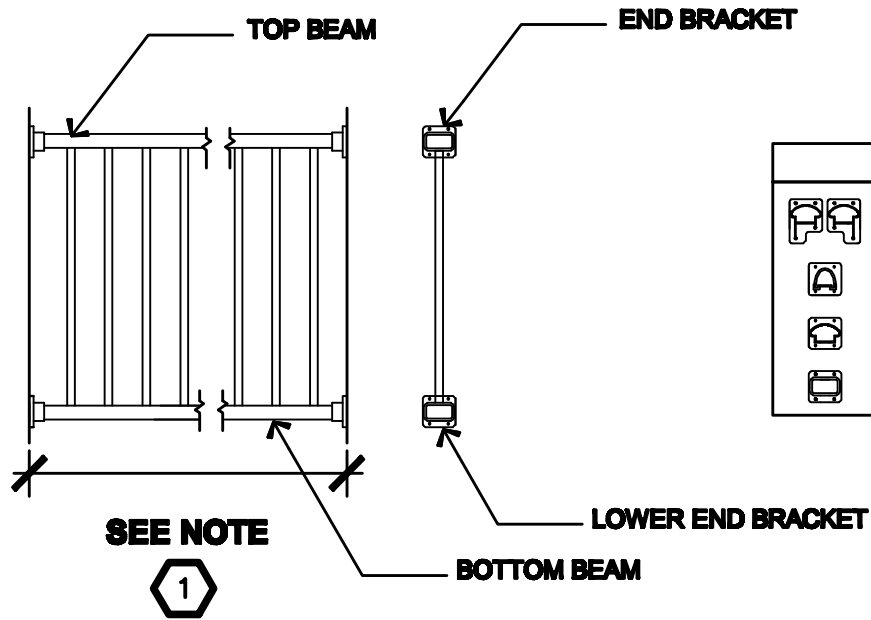


4215-A Russell Road
Mukilteo, WA, 98275
Main Office 425-348-3608
Fax 425-348-8476

PROJECT
DETAILS
FILE NO.
000-0-000

SCALE
1/2" = 1'-0"
DATE
5/18/2010
DRAWN
CVH
APP'D

DR-4
SHEET 4 OF 12



END BRACKET AND BEAM STYLES	
	SHADOW TOP, LEFT AND RIGHT
	SHADOW BOTTOM
	BREADLOAF TOP
	RECTANGULAR TOP AND/OR BOTTOM

GUARD RAIL CONFIGURATION



NOTE: MEASURE DIST. BETWEEN MOUNTING SURFACES AND CUT TO LENGTH, LESS THAN 1" ALLOWING FOR END BRACKET THICKNESS



4215-A Russell Road
 Mukilteo, WA, 98275
 Main Office 425-348-3608
 Fax 425-348-8476

PROJECT
 DETAILS

FILE NO.
 000-0-000

DRAWN
 CVH

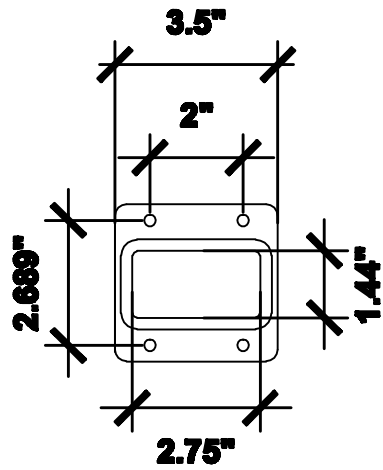
APP'D

SCALE
 1/2" = 1'-0"

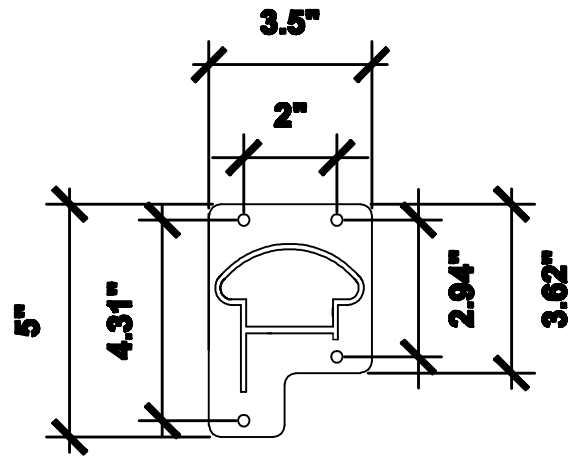
DATE
 5/18/2010

DR-5

SHEET 5 OF 12



RECTANGULAR END BRACKET



DETAIL - SHADOW RAIL END BRACKET

END BRACKET / HOLE SPACING DETAIL - NTS



TYPICAL HOLE SPACING FOR ALL END BRACKET STYLES EXCEPT FOR SHADOW RAIL



4215-A Russell Road
 Mukilteo, WA, 98275
 Main Office 425-348-3808
 Fax 425-348-8476

PROJECT
 DETAILS

FILE NO.
 000-0-000

DRAWN
 CVH

APP'D

SCALE
 1/2" = 1'-0"

DATE
 5/18/2010

DR-6

SHEET 6 OF 12

WITH SUPPORT BLOCK IN PLACE
AS SHOWN, FASTEN UPPER
BRACKET IN PLACE USING #12
SCREWS PROVIDED

TAP END BRACKET ON WITH HAMMER
AFTER CUTTING RAIL TO LENGTH

BACKING IS NEEDED TO
ATTACH BRACKETS TO
EXTERIOR WALLS OR
COLUMNS WHEN
SUITABLE FRAMING
STRUCTURE IS NOT
PRESENT

2X6 BACKING TYPICALLY
PLACED VERTICALLY
CENTERED ON BRACKET
MOUNTING FACE

PLACE 3" OR 4" SUPPORT BLOCK UNDER
RAIL TO ENSURE PROPER BOTTOM RAIL
DISTANCE FROM GROUND

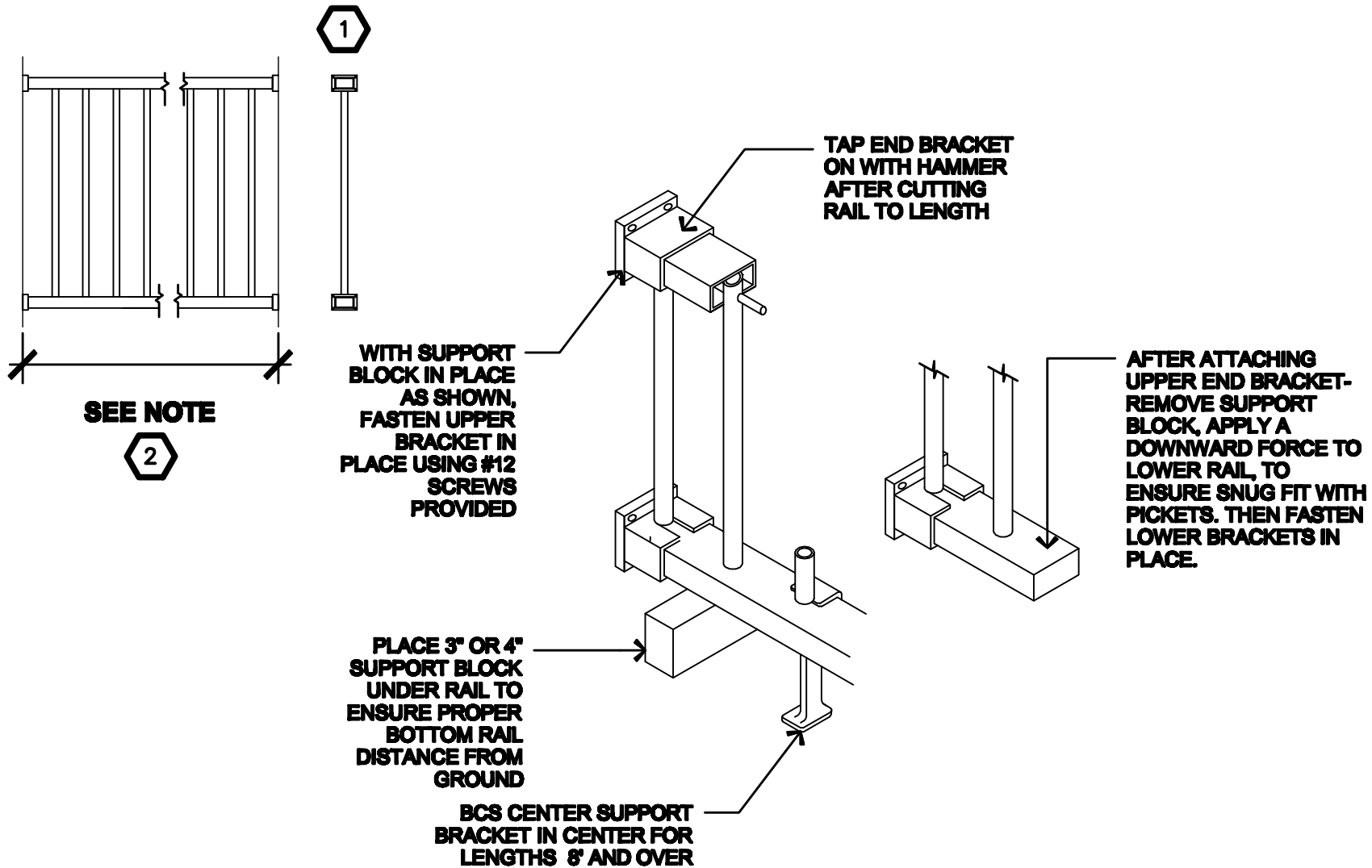
BCS CENTER SUPPORT
BRACKET IN CENTER
FOR LENGTHS 8' AND
OVER

RAILING INSTALLATION DETAIL - NTS



GLASREAIL MFR SPEC 7580C - RAILING DETAIL WITH BACKING
PLACEMENT

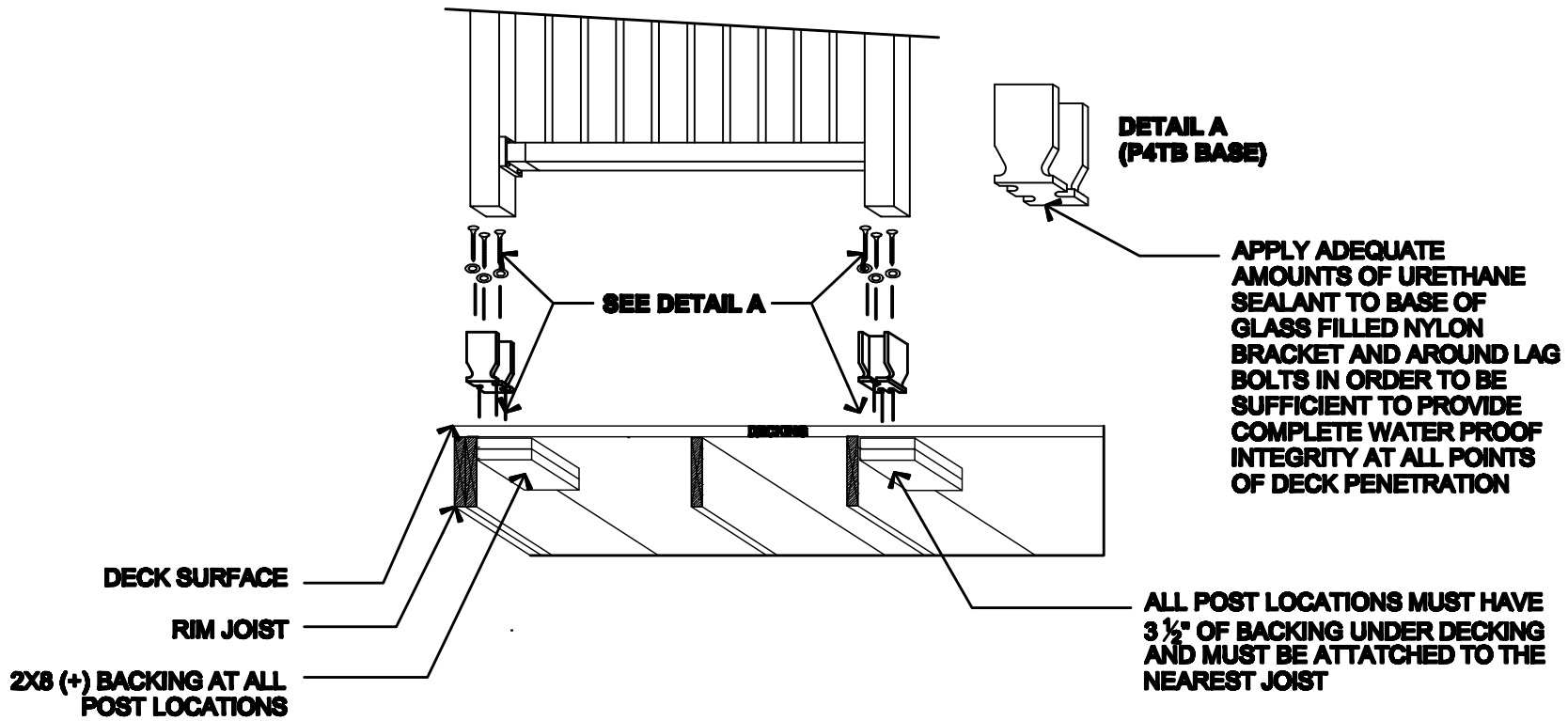
PROJECT DETAILS		FILE NO. 000-0-000	
4215-A Russell Road Mukilteo, WA. 98275		Main Office 425-348-3608	
Fax 425-348-8476			
DRAWN CVH	APP'D	SCALE 1/2" = 1'-0"	DATE 5/18/2010
DR-7		SHEET 7 OF 12	



RAILING INSTALLATION DETAIL - NTS

- 1** THESE SHOP DRAWINGS ARE PROVIDED AS A VISUAL AIDE BASED ON DOCUMENTED SPECIFICATION TESTING
- 2** MEASURE DISTANCE BETWEEN MOUNTING SURFACE AND CUT TO LENGTH, LESS 1" ALLOWING FOR END CAP THICKNESS

PROJECT DETAILS		FILE NO. 000-0-000	
4215-A Russell Road Mukilteo, WA. 98275		Main Office 425-348-3608	
		Fax 425-348-8476	
GLASRAIL			
DRAWN CVH	APP'D		
SCALE 1/2" = 1'-0"	DATE 6/23/2010		
DR-8		SHEET 8 OF 12	

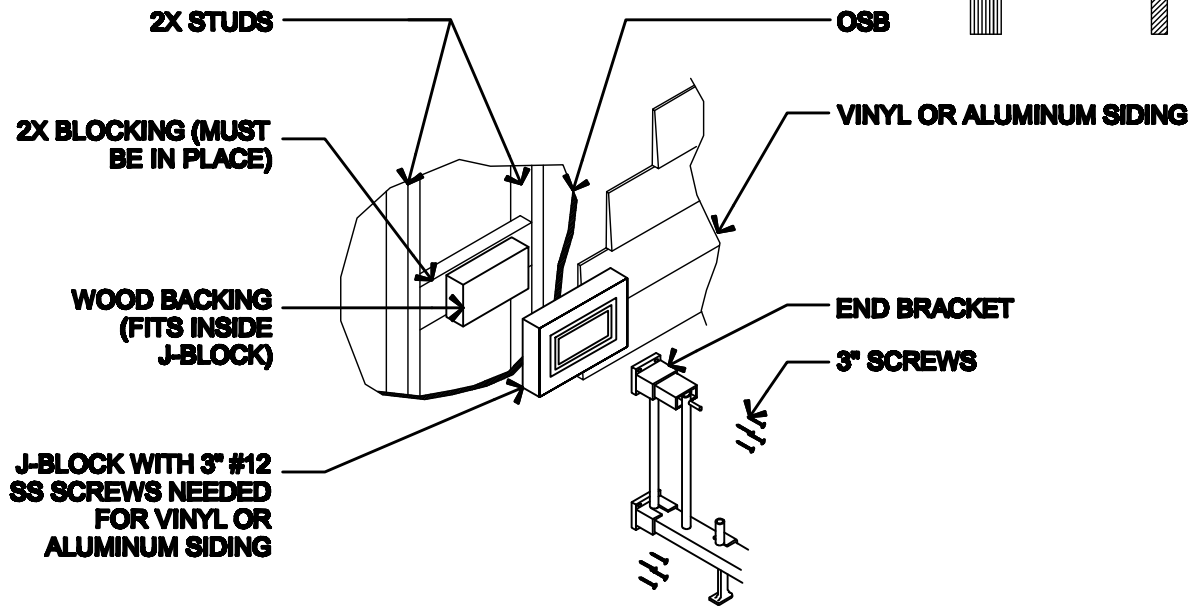
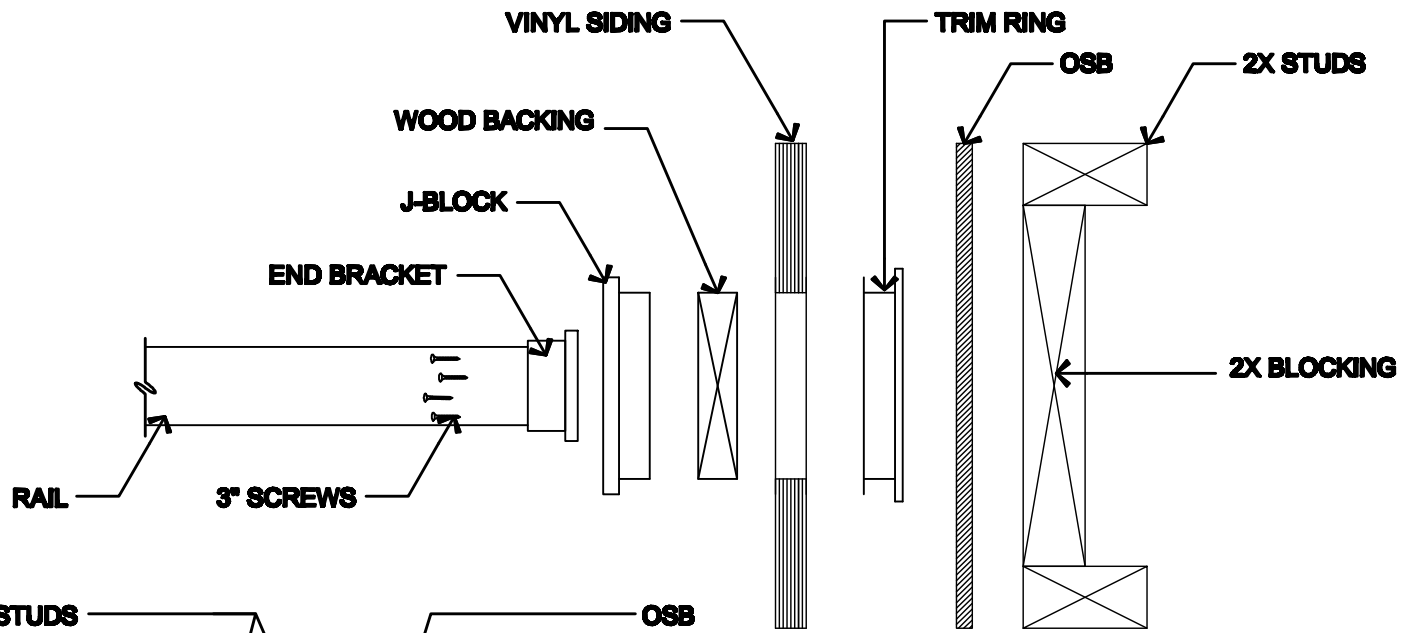


DECK MOUNTING DETAIL - TOP MOUNT



CHECK LOCAL CODE FOR ALLOWABLE DISTANCE

PROJECT DETAILS		FILE NO. 000-0-000	
4215-A Russell Road Mukilteo, WA. 98275		Main Office 425-348-3808	
		Fax 425-348-8476	
DRAWN CVH	APP'D	SCALE 1/2" = 1'-0"	DATE 5/18/2010
DR-9		SHEET 9 OF 12	

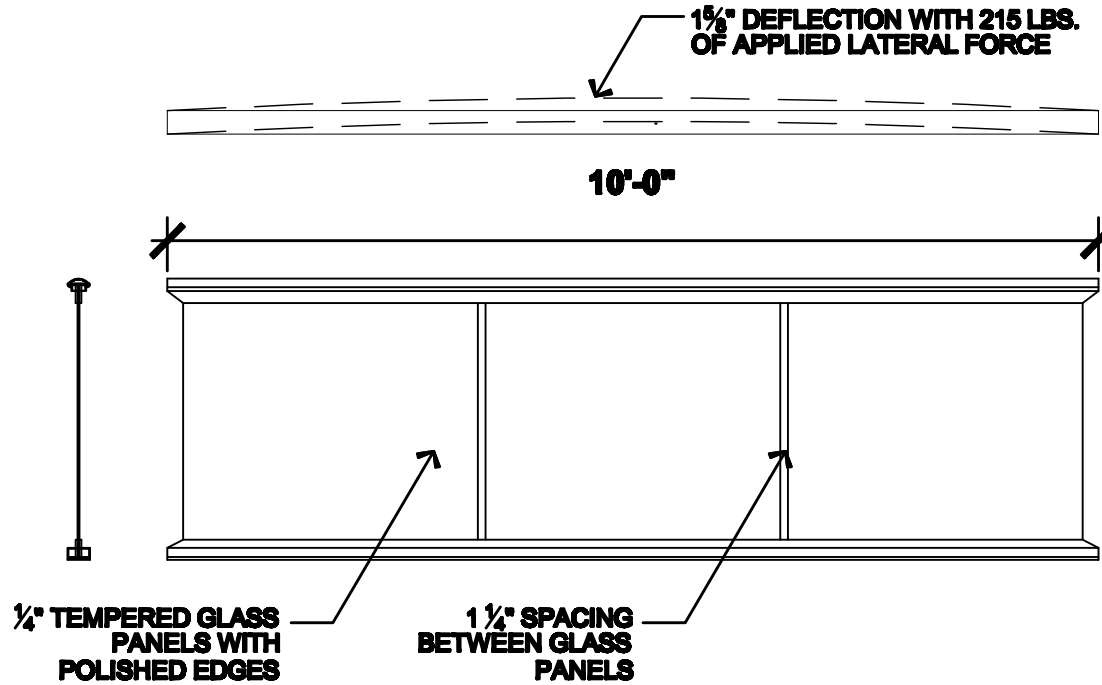
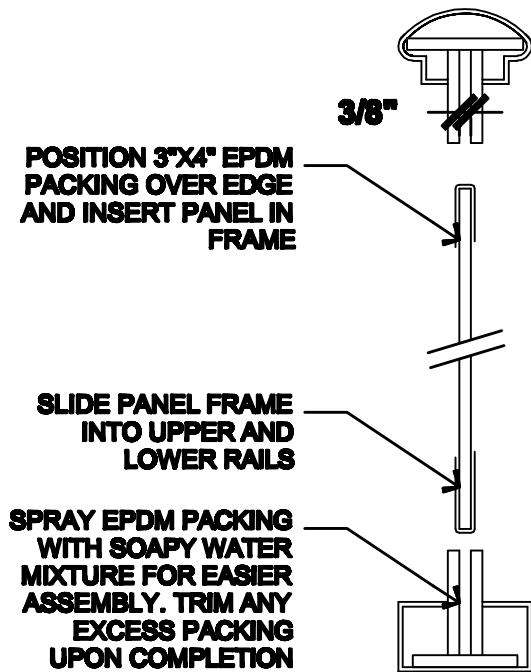


BRACKET DETAIL - J-BLOCK ATTACHMENT TO WALL

PROJECT DETAILS	4215-A Russell Road Mukilteo, WA, 98275		File No. 000-0-000
	Main Office 425-348-3608	Fax 425-348-8476	
DRAWN CVH	SCALE 1/2" = 1'-0"	APP'D	DATE 5/18/2010
DR10		SHEET 10	OF 12

APPROXIMATE PANEL CONFIGURATION

2' RAIL ASSEMBLY	1 GLASS PANEL
4' RAIL ASSEMBLY	1 GLASS PANEL
5' RAIL ASSEMBLY	2 GLASS PANELS
6' RAIL ASSEMBLY	2 GLASS PANELS
8' RAIL ASSEMBLY	3 GLASS PANELS
10' RAIL ASSEMBLY	3 GLASS PANELS

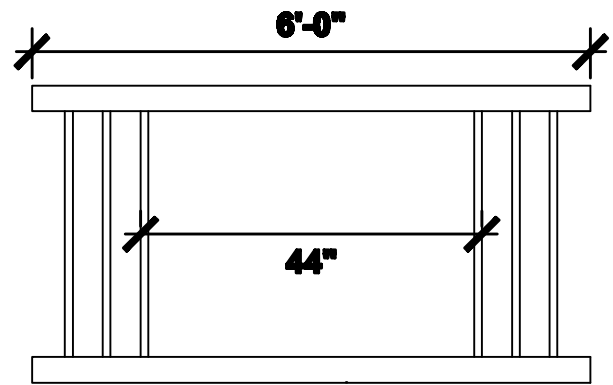
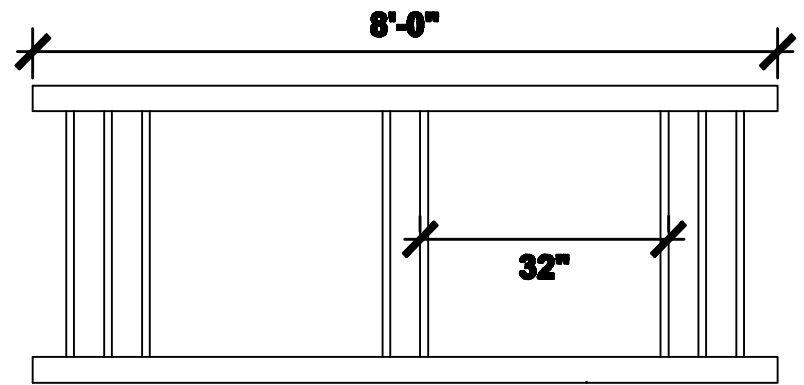
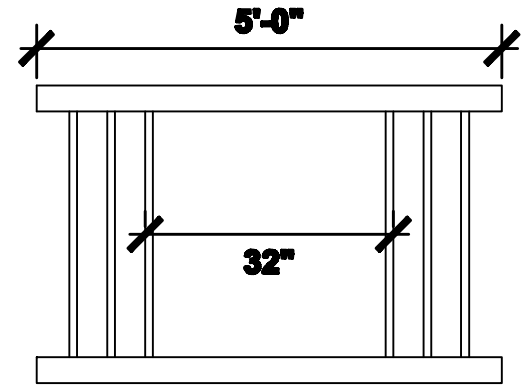
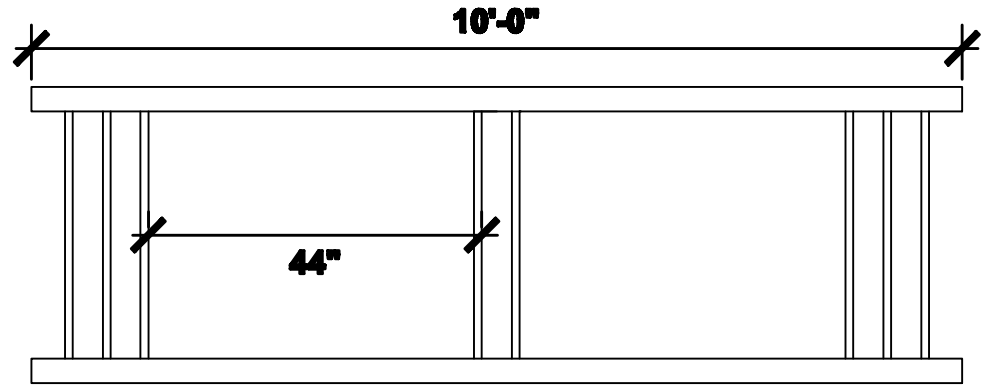
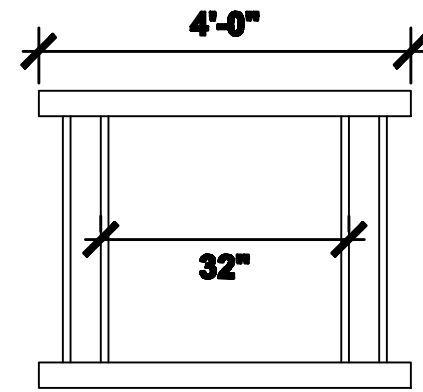
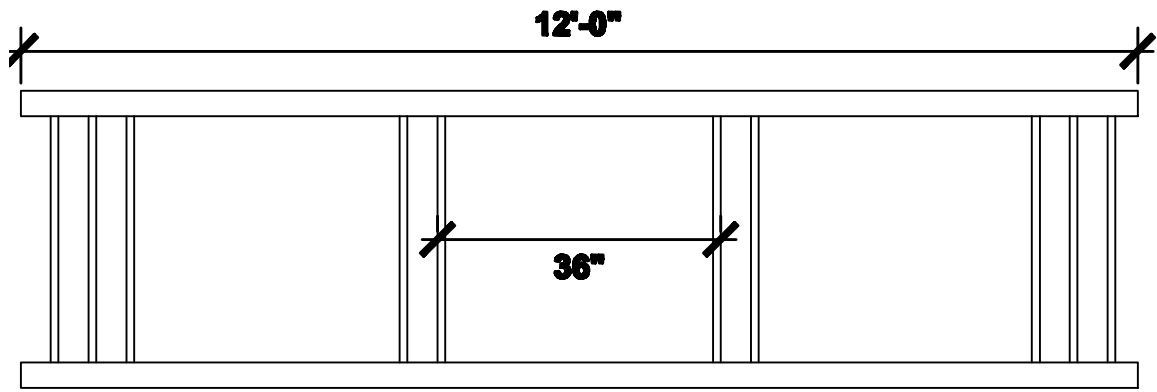


HURRICANE GLASS PANELS



THE EXACT DISTANCE BETWEEN POSTS MUST BE DETERMINED BEFORE RAIL ASSEMBLY CAN BE FABRICATED. ADD 3-5 DAYS DELIVERY WHEN GLASS IS SUPPLIED BY GLASRAIL

PROJECT DETAILS 4215-A Russell Road Mukilteo, WA, 98275 Main Office 425-348-3608 Fax 425-348-8476	FILE NO. 000-0-000
DRAWN CVH	APP'D
SCALE 1/2" = 1'-0"	DATE 5/18/2010
DR11	SHEET 11 OF 12



TIMELESS GLASS PANELS



THE EXACT DISTANCE BETWEEN POSTS MUST BE DETERMINED BEFORE RAIL ASSEMBLY CAN BE FABRICATED.

PROJECT
DETAILS

4215-A Russell Road
Mukilteo, WA, 98275
Main Office 425-348-3608
Fax 425-348-8476

FILE NO.
000-0-000



DRAWN
CVH

APP'D

SCALE
1/2" = 1'-0"

DATE
5/18/2010

DR12

SHEET 12 OF 12