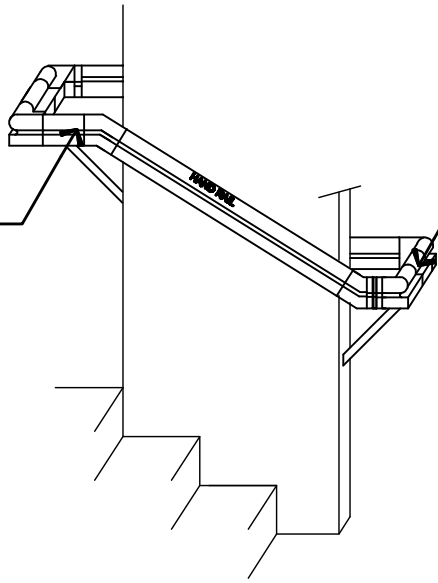
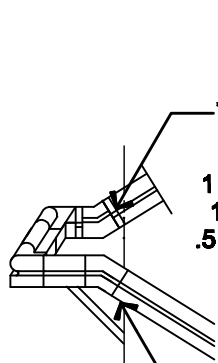


TYPE 6D
 2 B90
 1 HRB32D
 1 HRCL/R
 2 HRBSM
 1 HR45SB



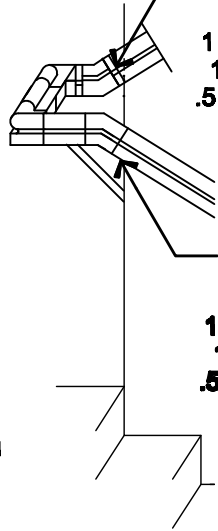
TYPE 6U

2 B90
 1 HRB32U
 1 HRCL/R
 2 HRBSM
 1 HR45SB



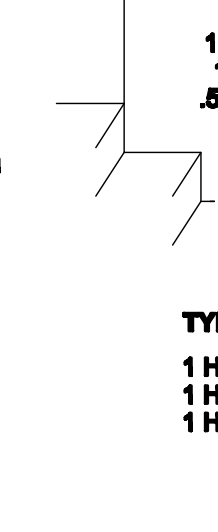
TYPE 5U

1 B90
 1 HRB32U
 1 HRBSM
 .5 HR45SB

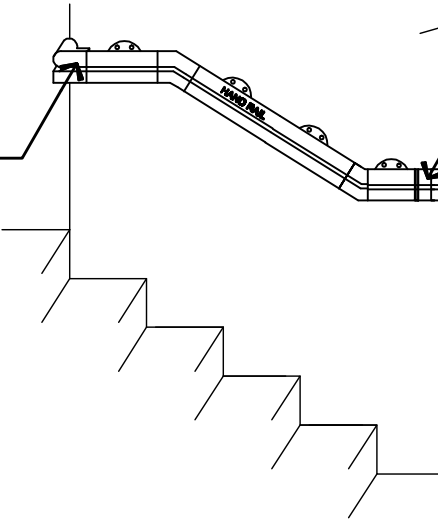


TYPE 5D

1 B90
 1 HRB32D
 1 HRBSM
 .5 HR45SB

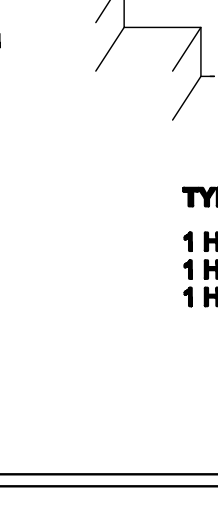


TYPE 4D
 1 B90
 1 HRB32D
 1 HRCL/R
 1 HRBSM



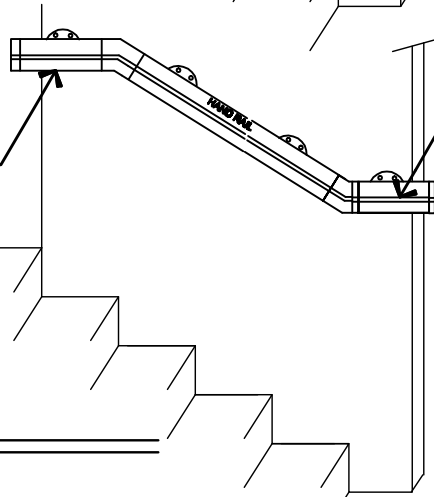
TYPE 4U

1 B90
 1 HRB32U
 1 SRC
 1 HRCL/R
 1 HRBSM



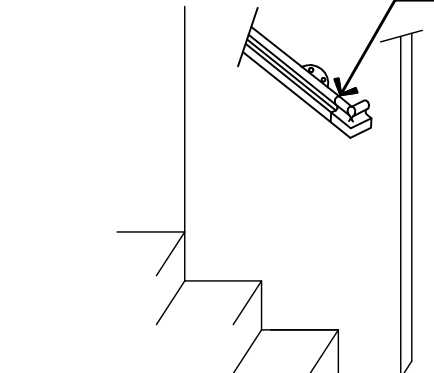
TYPE 3D

1 HRB32D
 1 HRCL/R
 1 HRBSM



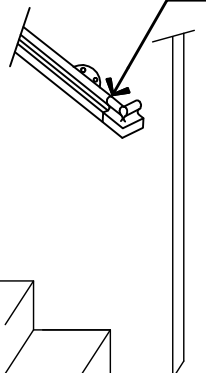
TYPE 3U

1 HRB32U
 1 HRCL/R
 1 HRBSM



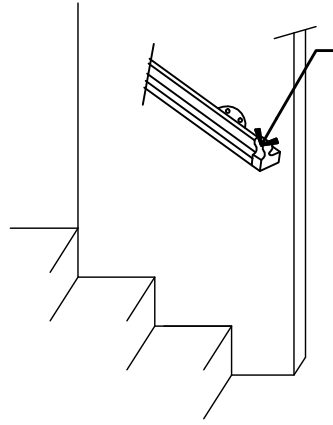
TYPE 2

1 B90
 1 SRC
 1 HRCL/R
 1 HRBSM



TYPE 1

1 HRCL/R
 1 HRBSM



HAND RAIL TYPES - NTS

1

PROJECT TECHNICAL		FILE NO. 000-0-000	
4215-A Russell Road Mukilteo, WA, 98275		Fax 425-348-8476	
Main Office		425-348-3808	
GLASRAIL			
SCALE 1/2" = 1'-0"	DRAWN CVH	DATE 5/20/2010	APP'D
TN-6		SHEET 6 OF 6	