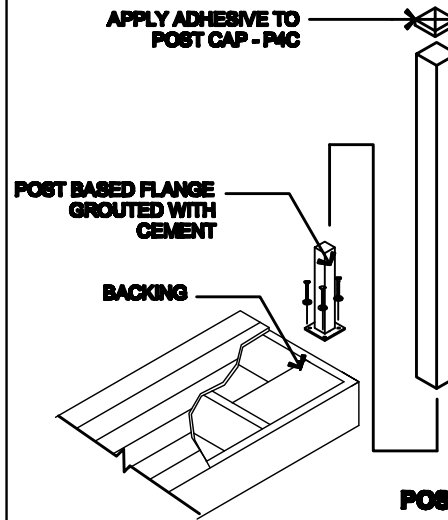
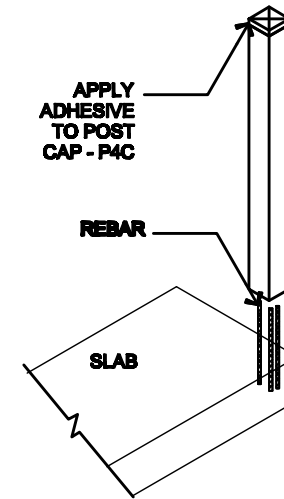


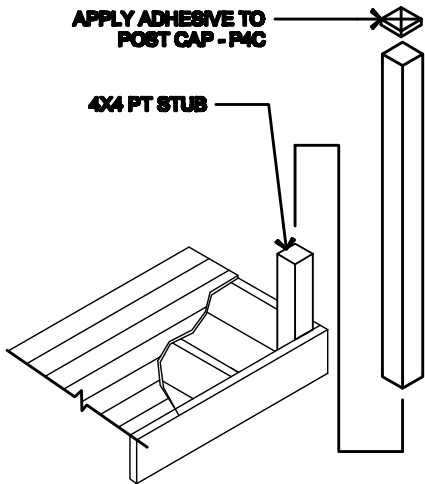
POST CORNER BRACKET



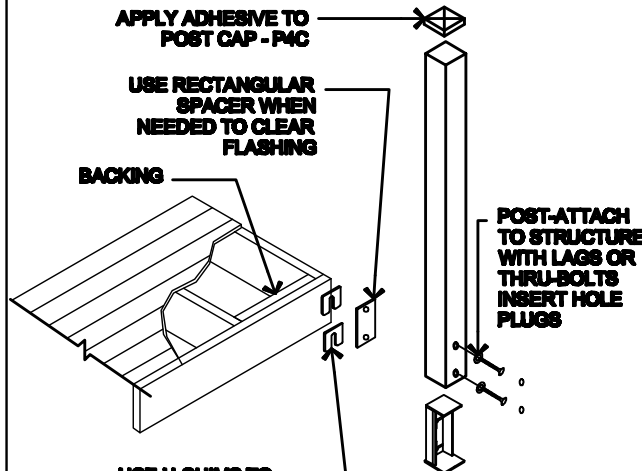
POST BASE FLANGE



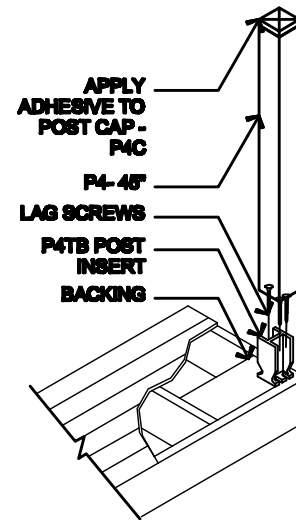
POST INSTALL - GROUTED REBAR



POST STUB MOUNT



POST SIDE MOUNT



POST TOP MOUNT INSTALL

POST MOUNTING SYSTEMS - NTS

| | | | |
|--|---------------------|------------------------------|--------------|
| PROJECT TECHNICAL NOTE | | FILE NO. 000-0-000 | |
| 4215-A Russell Road Mukilteo, WA, 98275 | | Fax 425-348-8476 | |
| Main Office 425-348-3808 | | | |
| GLASRAIL | | | |
| SCALE 3/8" = 1'-0" | DRAWN CVH | DATE 5/10/2010 | APP'D |
| TN-2 | | SHEET 2 OF 6 | |