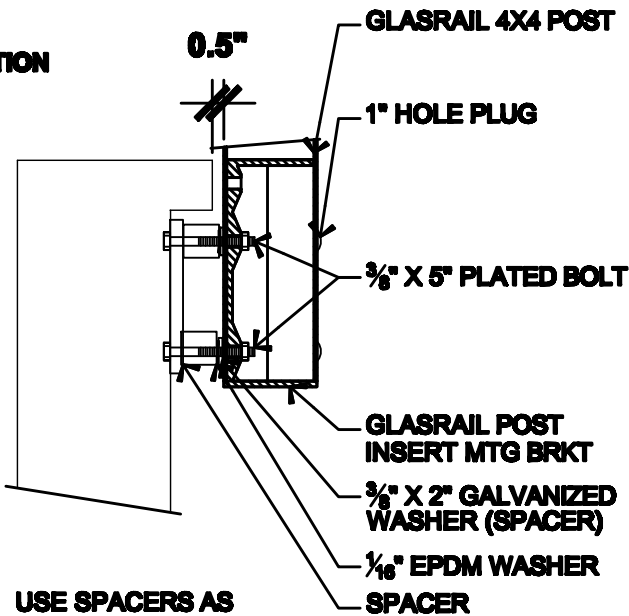
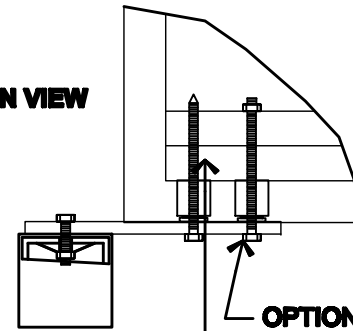


**SECTION**



USE SPACERS AS  
REQUIRED TO PLUMB  
POSTS

**PLAN VIEW**



OPTIONAL THRU BOLT

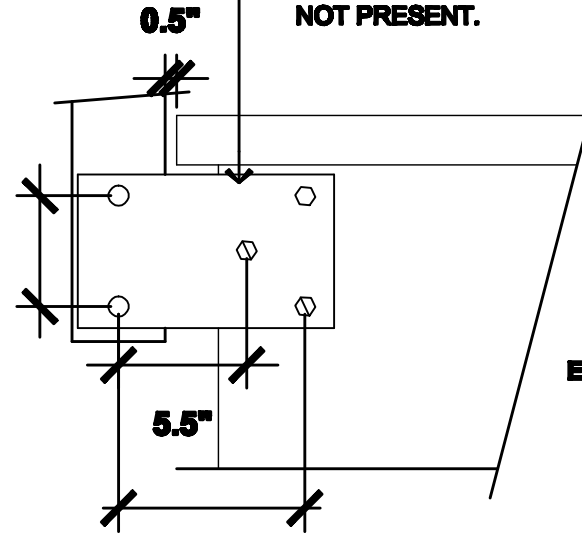
$\frac{3}{8}$ " X 6" PLATED LAG SCREW  
NOTE - BACKING IS NEEDED TO  
ATTACH BRACKETS TO EXTERIOR  
WALLS OR COLUMNS WHEN  
SUITABLE FRAMING STRUCTURE IS  
NOT PRESENT.

4.5"

5.5"

2'-0"

**ELEVATION**



**SIDE MOUNT PLATE DETAIL - NTS**



DETAIL - MOUNTING POSTS TO SIDE OF PARAPET WALL AT CORNER  
NOTE - ALL DIMENSIONS SHOWN ARE NOMINAL, ADJUST AS REQUIRED BASED ON FIELD MEASUREMENT

<b>PROJECT DETAILS</b>		<b>FILE NO.</b> 000-0-000	
4215-A Russell Road Mukilteo, WA, 98275		Main Office 425-348-3608	
Fax 425-348-8476			
<b>GLASRAIL</b>			
<b>SCALE</b> 1/2" = 1'-0"	<b>DRAWN</b> CVH	<b>DATE</b> 5/17/2010	<b>APP'D</b>
<b>PM-7</b>		<b>SHEET 7 OF 7</b>	