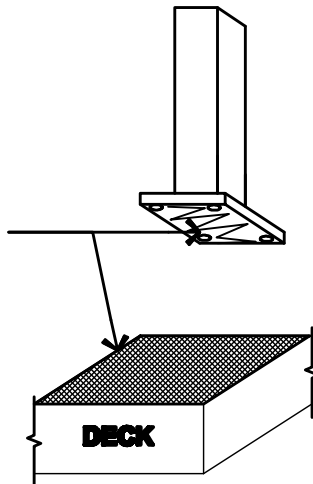


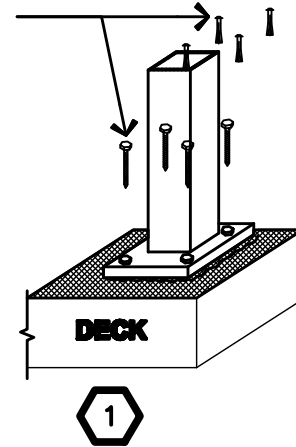
**1. BEFORE ATTACHING POST BASES, APPLY FIRST BASE COAT TO ENTIRE DECK SURFACE AND ALLOW TO DRY.**

**2. APPLY URETHANE SEALANT LIBERALLY TO BOTTOM OF POST BASE.**

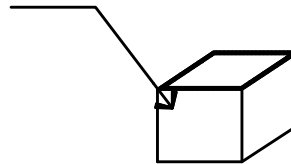


**3A. FASTEN POST BASE TO CONCRETE DECK SURFACE WITH ANCHORS.**

**3B. FASTEN POST BASE TO WOOD DECK SURFACE WITH LAG BOLTS.**

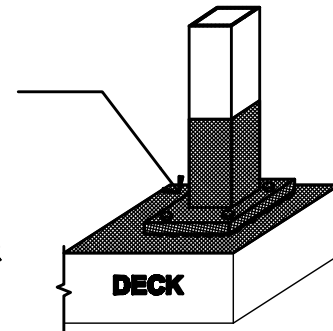


**POSITION POST OVER BASE, POUR CONC. IN FROM TOP TO HOLD POST IN PLACE**



**4. APPLY SECOND BASE COAT TO ENTIRE DECK AND TOP OF FLANGE AND 4" - 6" UP THE VERTICAL**

**5. APPLY TOP COATS AS NEEDED PER MANUFACTURER SPEC.**



## POST MOUNTING SYSTEMS - POST BASED FLANGE - NTS



TYPICAL TTOP MOUNT POST BASED FLANGE BASE INSTALLATION AND WATER PROOFING R1

<b>PROJECT DETAILS</b>		<b>FILE NO.</b> 000-0-000	
4215-A Russell Road Mukilteo, WA. 98275		Main Office 425-349-3608	
		Fax 425-349-8476	
<b>GLASRAIL</b>			
<b>SCALE</b> 1/2" = 1'-0"	<b>DRAWN</b> CVH	<b>DATE</b> 5/7/2010	<b>APP'D</b>
<b>PM-5</b>		<b>SHEET 5 OF 7</b>	