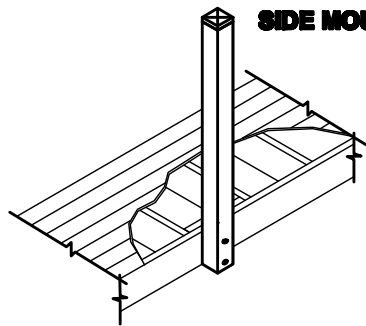
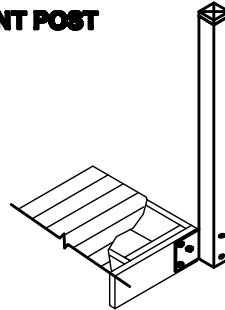


ITEM	LENGTH	QUANTITY
DECK RAIL ASSY 1 (DR1)	6 FEET	6
DECK RAIL ASSY 2 (DR2)	2 FEET	1
STAIR RAIL ASSY (SR)	6 FEET	2
HAND RAIL ASSY (HR)	16 FEET	1
POST 1 (P1-55)	55 INCH	9



**SIDE MOUNT POST**



**SIDE MOUNT POST WITH CORNER BRACKET**

## DESIGN EXAMPLE - NTS

- 1** RAIL ATTACH TO EXTERIOR WALL
- 2** SIDE MOUNT POST
- 3** SUITABLE BACKING NEEDED FOR END BRACKETS

NOTE: LENGTHS FOR STAIR RAIL AND HAND RAIL ARE BASED ON THE DIAGONAL DISTANCE.

THIS DESIGN EXAMPLE AND LIST OF MATERIALS IS FOR ILLUSTRATIVE PURPOSES ONLY. THE REQUIREMENTS FOR ANY SPECIFIC APPLICATION WILL DEPEND ON THE ACTUAL CONFIGURATION.

PROJECT  
DESIGN EX

FILE NO.  
EXAMPLE 5

4215-A Russell Road  
Mukilteo, WA, 98275  
Main Office 425-348-3608  
Fax 425-348-8476

**GLASRAIL**

DRAWN  
CVH

APP'D

SCALE  
CUSTOM

DATE  
5/7/2010

**DX-5**

SHEET 5 OF 6