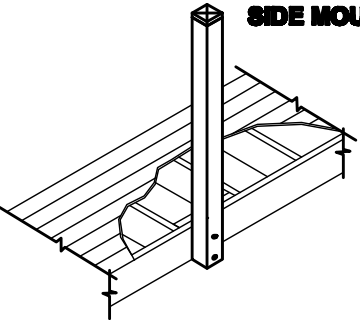
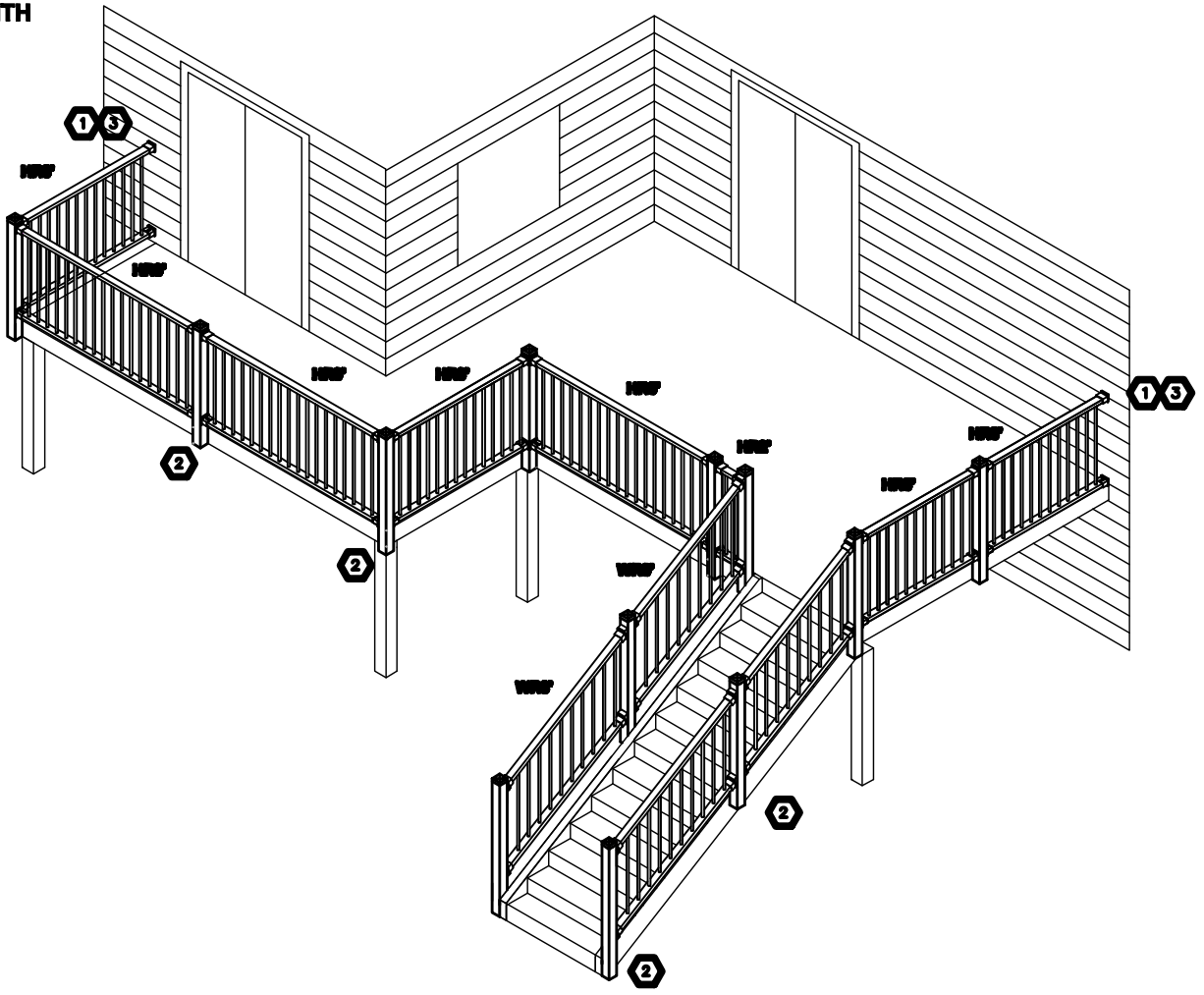


SIDE MOUNT POST WITH CORNER BRACKET



SIDE MOUNT POST



ITEM	LENGTH	QUANTITY
DECK RAIL ASSY 1 (DR1)	8 FEET	7
DECK RAIL ASSY 2 (DR2)	2 FEET	1
STAIR RAIL ASSY (NR1)	8 FEET	4
POST 1 (P4-55)	55 INCH	12

DESIGN EXAMPLE - NTS

- 1** RAIL ATTACH TO EXTERIOR WALL
- 2** SIDE MOUNT POST
- 3** SUITABLE BACKING NEEDED FOR END BRACKETS

NOTE: LENGTHS FOR STAIR RAIL AND HAND RAIL ARE BASED ON THE DIAGONAL DISTANCE.
THIS DESIGN EXAMPLE AND LIST OF MATERIALS IS FOR ILLUSTRATIVE PURPOSES ONLY. THE REQUIREMENTS FOR ANY SPECIFIC APPLICATION WILL DEPEND ON THE ACTUAL CONFIGURATION.