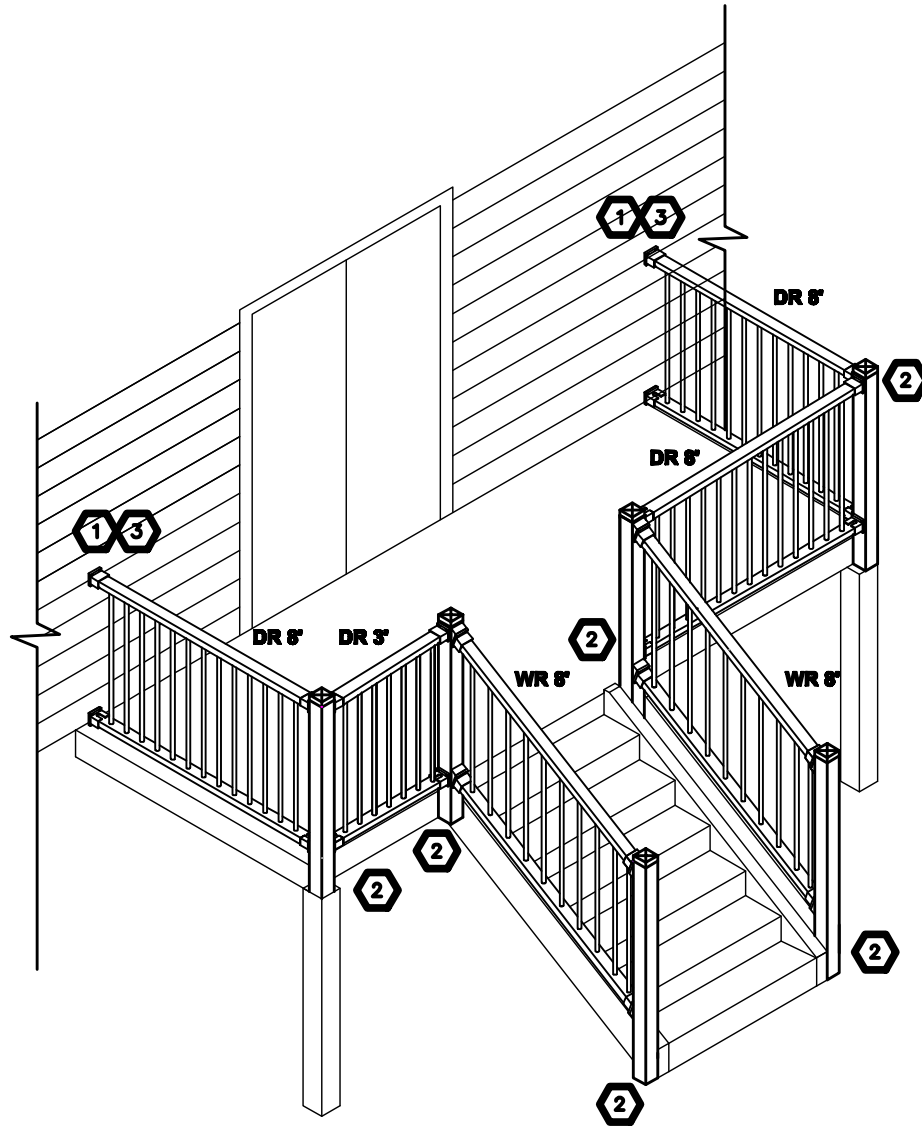





ITEM	LENGTH	QUANTITY
DECK RAIL ASSY 1 (DR8')	8 FEET	3
DECK RAIL ASSY 3 (DR3')	3 FEET	1
STAIR RAIL ASSY (WR8')	8 FEET	2
POST 1 (P4-55)	55 INCH	6



DESIGN EXAMPLE - NTS

-  RAIL ATTACH TO EXTERIOR WALL
-  SIDE MOUNT POST
-  SUITABLE BACKING NEEDED FOR END BRACKETS

NOTE: LENGTHS FOR STAIR RAIL AND HAND RAIL ARE BASED ON THE DIAGONAL DISTANCE.

THIS DESIGN EXAMPLE AND LIST OF MATERIALS IS FOR ILLUSTRATIVE PURPOSES ONLY. THE REQUIREMENTS FOR ANY SPECIFIC APPLICATION WILL DEPEND ON THE ACTUAL CONFIGURATION.

PROJECT
DESIGN EX

4215-A Russell Road
Mukilteo, WA, 98275
Main Office 425-349-3608
Fax 425-348-8476



DRAWN
CVH

SCALE
CUSTOM

DATE
5/7/2010

APP'D

DX-3

SHEET 3 OF 6

FILE NO.
EXAMPLE 3