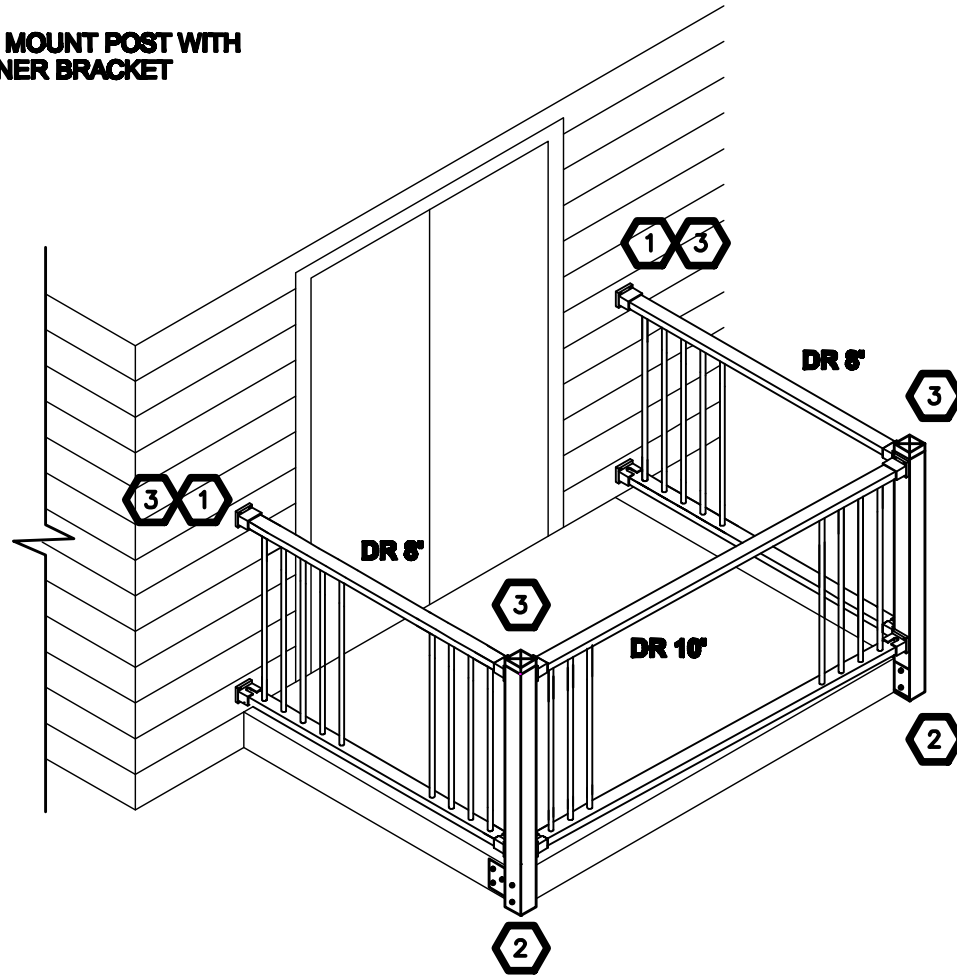





**THIS DESIGN EXAMPLE AND LIST OF MATERIALS IS FOR ILLUSTRATIVE PURPOSES ONLY. THE REQUIREMENTS FOR ANY SPECIFIC APPLICATION WILL DEPEND ON THE ACTUAL CONFIGURATION.**

ITEM	LENGTH	QUANTITY
DECK RAIL ASSY 1 (DR8')	8 FEET	2
DECK RAIL ASSY 2 (DR10')	10 FEET	1
POST 1 (P4-55)	55 INCH	2

**POST CORNER MOUNT SIDE WING RETURN INSTALL**



## DESIGN EXAMPLE - NTS

-  RAIL ATTACH TO EXTERIOR WALL
-  SIDE MOUNT POST
-  SUITABLE BACKING NEEDED FOR END BRACKETS

PROJECT  
DESIGN EX

FILE NO.  
EXAMPLE 1

4215-A Russell Road  
Mukilteo, WA, 98275  
Main Office 425-348-3608  
Fax 425-348-8476



DRAWN  
CVH

APP'D

SCALE  
CUSTOM

DATE  
5/7/2010

**DX-1**

SHEET 1 OF 6